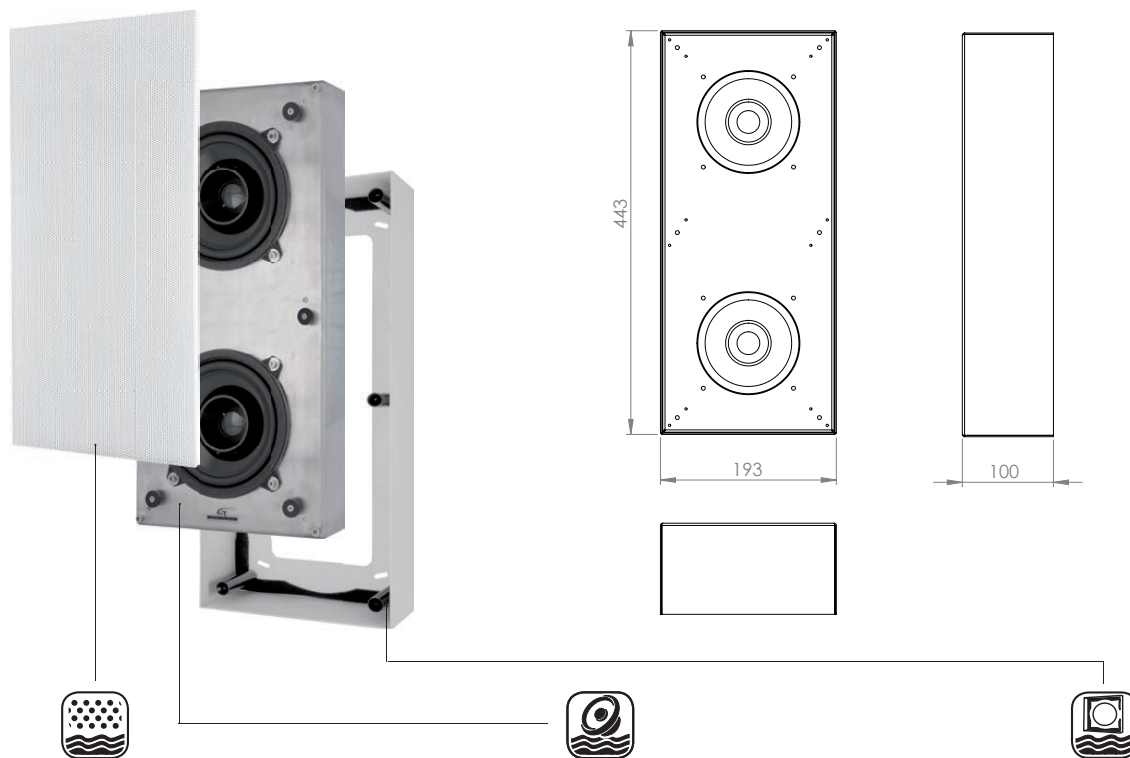


SNW22M**SNW22V****STEEL FLAT LOUDSPEAKERS****White front cover**Code: **41BXM**F**Dimensions HxWxD (cm)** 44,0 x 19,0 x 0,8**Weight (Kg)** 0,45**Finishes** White microperforated metal grille**Loudspeaker**Code (8 Ω): **SNW22M**
Code (70V / 100V): **SNW22V**

Type	Stereo / Mono
Components	Glass fiber double-cone
Power RMS / Max (8 Ω)	Stereo=50+50 / 100+100 Mono= 100 / 200
Power RMS W (70V / 100V)	(50,0 - 37,5 - 25,0) x 2
Frequency response (Hz)	85 - 20k
Sensitivity dB (2,83V/1m)	88 + 88 / 94
Nom. impedance (Ω)	8 + 8 / 4
Protection	IP66
Woofer Ø (cm)	2 x 13,0
Tweeter voice coil Ø (cm)	
Dimensions HxWxD (cm)	44,0 x 19,0 x 8,8
Weight (Kg)	3,01 / 3,81

Stainless Steel Cabinet

CW443E



Cabinet with white primer ready for final coat

CW443B

**RAL 9016**
Glass White

CW443F

**RAL 9016**
Matt white

CW443N

**RAL 9005**
Gloss black

CW443H

**RAL 9005**
Matt black

CW443Z

**Corten effect**
(on request)

CW443C

Lacquered in all **RAL colours**
(on request)

CW443S

**Satin stainless steel**
(on request)**Dimensions HxWxD (cm)** 44,4 x 19,4 x 10,0**Weight (Kg)**

2,00

**Marine Grille****Marine Speaker****Marine Steel Cabinet****Specifications**Specifiche
Caractéristiques
SpezifikationenLink: www.garvan.it/gat