

## White front cover

Code: **81AXX1**

**Dimensions HxWxD (cm)** 19,3 x 19,3 x 0,3

**Weight (Kg)** 0,17

**Finishes** White fabric

## Loudspeaker

Code (8 Ω): **SIC120**

**Type** 2 way coax

**Components** Neodymium Tw, doped paper Wf

**Power RMS / Max (8 Ω)** 120/240

**Freq. resp. (Hz)** 65 - 20k

**Sensitivity dB (2,83V/1m)** 92

**Nom. impedance (Ω)** 8

**Woofers Ø (cm)** 16,0 / 2,5  
**Tweeter voice coil Ø (cm)**

**Dimensions HxWxD (cm)** 19,3 x 19,3 x 9,5

**Weight (Kg)** 1,98

## Frame

Code: **CC2020**

**Dimensions HxWxD (cm)** 26,0 x 20,0 x 1,5

**Installation hole plasterboard HxWxD (cm)** 20,5 x 20,5 x 10,8 **D1**

**Weight (Kg)** 0,51

**Materials** Steel



Fabric



Indoor Speakers



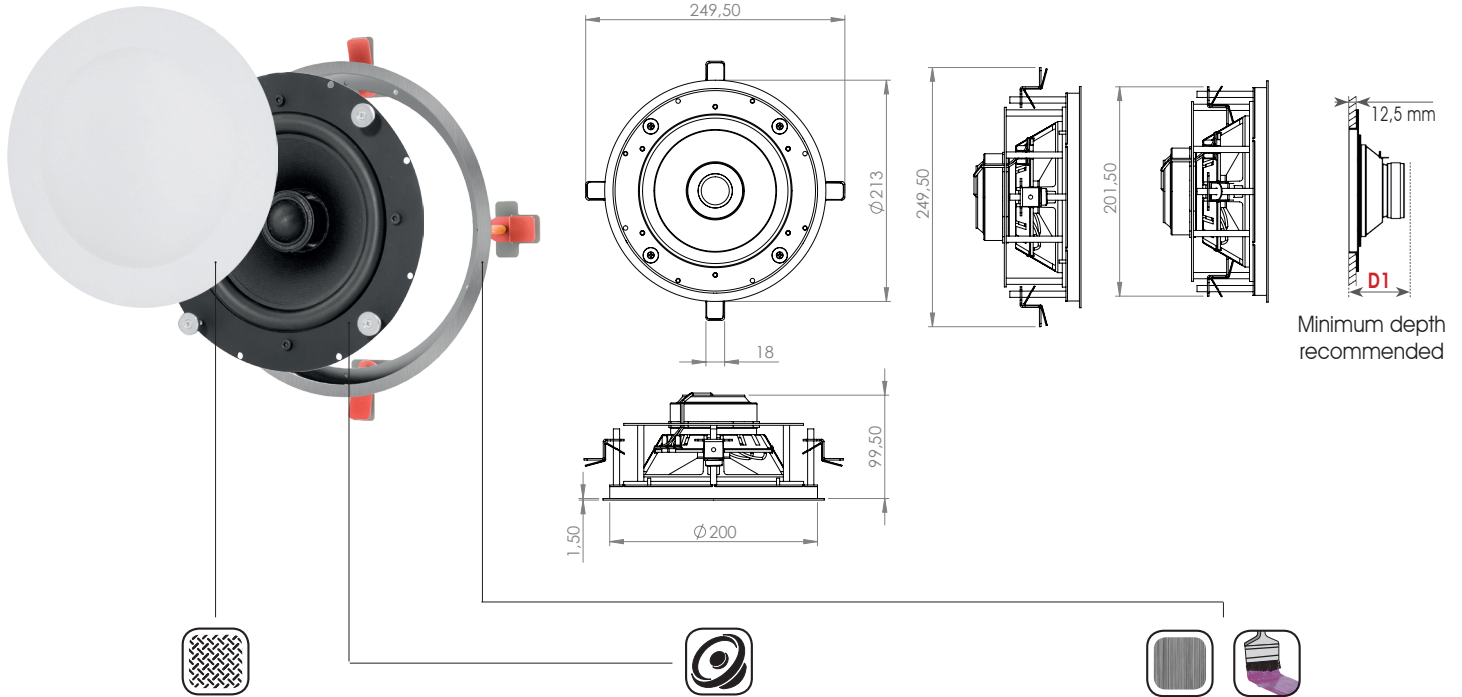
Plasterboard



## Specifications

Specifiche  
Caractéristiques  
Spezifikationen  
Link: [www.garvan.it/gat](http://www.garvan.it/gat)





## White front cover

Code: **81AXX1**

**Dimensions HxWxD (cm)** 19,3 x 19,3 x 0,3

**Weight (Kg)** 0,17

**Finishes** White fabric

## Loudspeaker

Code (8 Ω): **SIC120**

**Type** 2 way coax

**Components** Neodymium Tw, doped paper Wf

**Power RMS / Max (8 Ω)** 120/240

**Freq. resp. (Hz)** 65 - 20k

**Sensitivity dB (2,83V/1m)** 92

**Nom. impedance (Ω)** 8

**Woofer Ø (cm)** 16,0 / 2,5  
**Tweeter voice coil Ø (cm)**

**Dimensions HxWxD (cm)** 19,3 x 19,3 x 9,5

**Weight (Kg)** 1,98

## Frame

Code: **CF202S**  
Code: **CF202E**

**Dimensions HxWxD (cm)** 21,3 x 21,3 x 7,5

**Installation hole plasterboard HxWxD (cm)** 20,5 x 20,5 x 11,0 **D1**

**Weight (Kg)** 0,32

**Materials** Steel



Fabric



Indoor Speaker



Primer



Satin stainless steel



## Specifications

Specifiche  
Caractéristiques  
Spezifikationen

Link: [www.garvan.it/gat](http://www.garvan.it/gat)

