

## White Front cover

Code: **31AXX1**

**Dimensions HxWxD (cm)** 28,0 x 19 x 0,3

**Weight (Kg)** 0,25

**Finishes** White fabric

## Loudspeaker

Code (8 Ω): **SIC216**

**Type** 2 way

**Components** Silk dome Tw, doped paper Wf

**Power RMS / Max (8 Ω)** 75/150

**Freq. resp. (Hz)** 54 - 20k

**Sensitivity dB (2,83V/1m)** 90

**Nom. impedance (Ω)** 8

**Woofer Ø (cm)** 16,0 / 2,5  
**Tweeter voice coil Ø (cm)**

**Dimensions HxWxD (cm)** 28,0 x 19,0 x 7,7

**Weight (Kg)** 2,20

## Frame

Code: **CC1928**

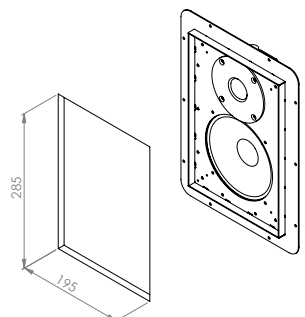
**Dimensions HxWxD (cm)** 34,0 x 25,0 x 1,5

**Installation hole plasterboard HxWxD (cm)** 28,5 x 19,5 x 9,5 **D1**

**Weight (Kg)** 0,64

**Materials** Steel

Installation hole plasterboard



Fabric



Indoor Speaker



Plasterboard



## Specifications

Specifiche  
Caractéristiques  
Spezifikationen  
Link: [www.garvan.it/gat](http://www.garvan.it/gat)

