

SONANCE

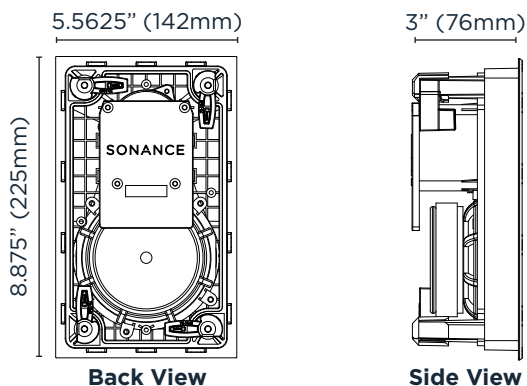
VISUAL PERFORMANCE DATA SHEET

VP42 | VP46 | VP48

TECHNICAL SPECIFICATIONS

	VP42	VP46	VP48
SKU	93000	93001	93002
UOM	Pair	Pair	Pair
Tweeter	1" (25mm) cloth dome, Ferrofluid-cooled, pivoting, acoustic back chamber	1" (25mm) powder coated aluminum dome, Ferrofluid-cooled, pivoting, acoustic back chamber	1" (25mm) ceramic dome, Ferrofluid-cooled, pivoting, acoustic back chamber
Woofers	4.5" (114mm) textured polypropylene cone, rubber surround	4.5" (114mm) Kevlar / Nomex laminated cone, rubber surround	4.5" (114mm) carbon fiber / Rohacell laminated cone, rubber surround
Frequency Response	60Hz - 20kHz +/- 3dB	58Hz - 20kHz +/- 3dB	50Hz - 20kHz +/- 3dB
Impedance	8 Ohms nominal; 6 Ohms minimum	8 Ohms nominal; 6 Ohms minimum	6 Ohms nominal; 4 Ohms minimum
Power Handling (RMS)	5 watts minimum; 70 watts maximum	5 watts minimum; 80 watts maximum	5 watts minimum; 100 watts maximum
Sensitivity (2.83V/1m)	89dB SPL	90dB SPL	90dB SPL
Product Dimensions (DiaxD)	5.5625" x 8.875" x 3" (142mm x 225mm x 76mm)	5.5625" x 8.875" x 3" (142mm x 225mm x 76mm)	5.5625" x 8.875" x 3" (142mm x 225mm x 76mm)
Cut-Out Dims (Dia)	4.625" x 8" (117mm x 203mm)	4.625" x 8" (117mm x 203mm)	4.625" x 8" (117mm x 203mm)
Shipping Weight	6 lbs. (2.8kg)	6 lbs. (2.8kg)	6 lbs. (2.8kg)

DIMENSIONAL DRAWINGS



ASSOCIATED PRODUCTS

SMALL RECTANGLE MODEL

Rectangle Retrofit Enclosure / Pair	92442
Rectangle Masonry Bracket / Pair	92067
Rectangle Flex Bracket / 5xPair	92470
Fire-Rated Listed Shallow Backcan / Each	92807

LIMITED FIVE (5) YEAR WARRANTY Sonance warrants to the first end-user purchaser that this Sonance-brand product ("Product"), when purchased from an authorized Sonance Dealer/Distributor, will be free from defective workmanship and materials for the period stated above. Sonance will at its option and expense during the warranty period, either repair the defect or replace the Product with a new or remanufactured Product or a reasonable equivalent. For more details please refer to the product manual.

©2021 Sonance. All rights reserved. Sonance is a registered trademarks of Dana Innovations. Due to continuous product improvement, all features and specifications are subject to change without notice. For the latest Sonance product specification information visit our website at www.sonance.com.

SONANCE • 991 Calle Amanecer • San Clemente, CA 92673 USA • Phone: (949) 492-7777 • Fax: (949) 361-5151 • Technical Support: (949) 492-7777 • www.sonance.com 03.30.2021