



VISUAL PERFORMANCE® SERIES VP65 XT (RECTANGLE, LEFT);  
VP65R XT (CIRCLE, MIDDLE); VP65S XT (SQUARE, RIGHT)

## Sonance Visual Performance® Series

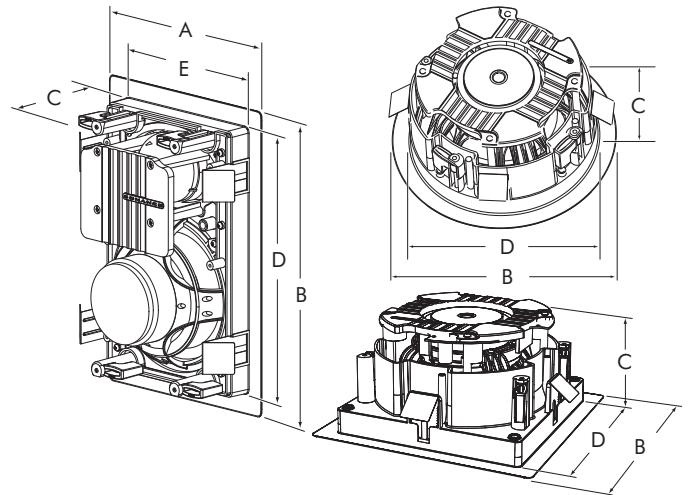
# Visual Performance® Series Extreme Speakers VP65 XT/VP65R XT/VP65 S XT

Visual Performance® Series Extreme speakers combine elegant, modern style with outstanding audio performance and are designed to fit the audio needs of the most discriminating listener even in the harshest of conditions. These weatherproof speakers are engineered for high-humidity areas and are built to survive extreme temperatures - from -30°F up to +175°F (-34°C up to +79°C) - while maintaining superior sound quality. They are also shock-resistant and can withstand the pelting of the high seas and salty air, making them an excellent choice for marine applications. Visual Performance® Series Extreme speakers provide excellent sound in yachts, saunas, steam rooms, hot tub areas, in the ceiling of your shower, or anywhere outdoors.

Visual Performance® Series Extreme speakers owe their weather resistance to a very innovative design. All exposed plastic parts are made of durable, high temperature plastic, which has a substantially higher melting point. They are finished with a micro-trim grille made of stainless steel to weather the elements of time, and a frame neoprene gasket that makes them watertight and enhances the moisture barrier. The micro-trim grilles attach easily via powerful magnets and have only 0.20" (5mm) of trim, giving these speakers a clean, sleek appearance that seamlessly integrates into a variety of challenging spaces.

Choose from three different styles depending upon your application – the XT (rectangular) speaker is made for in-wall installations, and the R XT (round) and S XT (square) speakers are designed for in-ceiling installations. Using traditional installation methods, Visual Performance Series speakers feature exclusive FastMount® tabs and an integral RotoLock® mounting system for quick mounting directly into new or existing walls and ceilings. They also feature a new one-piece grille and trim assembly, making painting a simple and quick one-step process compared to traditional flanged speakers.

## Dimensions:



	WIDTH A	HEIGHT B	DEPTH C	CUTOUT (w x h) D E	
<b>SQUARE</b>					
VP65S XT	9 7/8" 251mm	9 7/8" 251mm	3 1/2" 89mm	8 1/4" 210mm	8 1/4" 210mm
<b>RECTANGLE</b>					
VP65 XT	8 3/8" 213mm	12 1/4" 311mm	2 1/2" 64mm	6 15/16" 176mm	10 3/4" 273mm
	DIAMETER B		DEPTH C	CUTOUT DIA. D	
<b>ROUND</b>					
VP65R XT	9 3/4" 248mm		3 1/2" 89mm	8 1/4" 210mm	



## Sonance Visual Performance® Series

# Visual Performance® Series Extreme Speakers VP65 XT/VP65R XT/VP65 S XT

### Features:

- Visual Performance® Extreme offer superior sound in high-humidity areas and extreme temperatures - from -30°F up to +175°F (-34°C up to + 79°C) - shock-resistant and an excellent choice for marine applications.
- Round, rectangular, and square footprints provide installation flexibility to outdoor and extreme condition areas such as yachts, saunas, steam rooms, hot tub areas, in the ceiling of your shower.
- New micro-trim grille has only 0.20" (5mm) of ABS trim, for a sleek, modern appearance. Powerful Samarium Cobalt magnets provide weather-resistant grille adhesion.
- Rotolock® mounting system with two piece toggle foot makes installation quick and easy. Exclusive new FastMount® tabs hold speaker in the mounting hole during installation, allowing installer to let go of the speaker to pick-up tools or other items.
- All Visual Performance® Series Extreme speakers can be retrofitted into existing cutouts for Original Series XT speakers without modification.
- Grilles and frames can be painted together, saving installation time.

### Specifications:

Tweeter:	1" (25mm) polyurethane dome
Woofers:	6 1/2" (165mm) injection-molded polypropylene/graphite cone, with integral Santoprene surround
Frequency Response:	55Hz - 20kHz ±3dB
Impedance:	8 ohms nominal; 6 ohms minimum
Power Handling:	5 watts minimum; 130 watts maximum
Sensitivity:	89dB (SPL 2.83V/1 meter)
Grille:	Powder-coated stainless steel
Dimensions	
VP65R XT (Dia. x D):	9 3/4" x 3 1/2" (248mm x 89mm)
VP65S XT (H x W x D):	9 7/8" x 9 7/8" x 3 1/2" (251mm x 251mm x 89mm)
VP65 XT (W x H x D):	8 3/8" x 12 1/4" x 2 1/2" (213mm x 311mm x 64mm)
Cut-Out Dimensions	
VP65R XT (Dia.):	8 1/4" (210mm)
VP65S XT (W x H):	8 1/4" x 8 1/4" (210mm x 210mm)
VP65 XT (W x H):	6 15/16" x 10 3/4" (176mm x 273mm)
Shipping Weight:	12 lbs (5.4 kg) pair

### Environmental Specifications:

Maximum Heat:	+175°F (+79°C)
Maximum Cold:	-30°F (-34°C)
Maximum Humidity:	99% (120°F/49°C) 95% (-30°F/-34°C)

These speakers meet or exceed the following:

Salt Spray:	ASTM-B117
UV Test:	ASTM-G23H
IEC/CEE	
Water Splashing Test:	IP-X4
Vibration Test:	ASTM D5112-98 and ASTM D3580-95

## SONANCE®

212 Avenida Fabricante

San Clemente, CA 92672-7531

USA(800) 582-7777 or (949) 492-7777

FAX: (949) 361-5151

Technical Support: (800) 582-0772

WWW.SONANCE.COM

### Limited Lifetime Warranty:

Sonance warrants to the original retail purchaser only that this Sonance product will be free from defects in materials and workmanship, provided the product was purchased from a Sonance Authorized Dealer. For full warranty information, please see the Instruction Manual.

©2010 Sonance, Sonamp and Sonance Architectural Series are registered trademarks of Dana Innovations. Due to continuous product improvement, all features and specifications are subject to change without notice. For the latest Sonance product specification information visit our website: [www.sonance.com](http://www.sonance.com)