

SONANCE

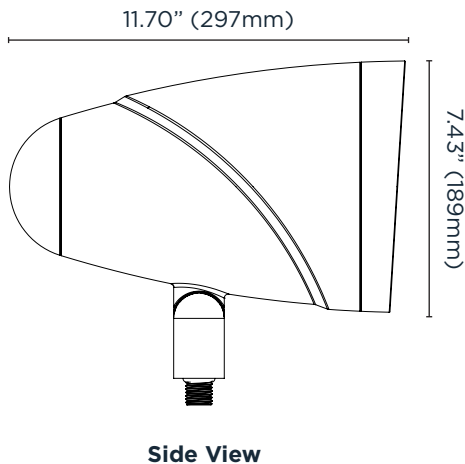
OUTDOOR SLS DATA SHEET

LS6T SAT

TECHNICAL SPECIFICATIONS

| | |
|----------------------------|---|
| SKU | LS6T SAT 93370 |
| UOM | Each |
| Tweeter | 1" (25mm) Polyurethane dome |
| Woofers | 6 1/2" (165mm) Injection molded polypropylene cone with a Santoprene™ rubber surround |
| Frequency Response | 55Hz-20kHz +/-3dB |
| Transformer Taps | 60W, 30W, 15W, (7.5W 70V), 8 Ohms |
| Dispersion | +/-60 degrees or 120 degrees conical |
| Enclosure Material | High Heat ABS, non-corrosive sealed enclosure |
| Stake/Mount Connection | 1/2" NPS mounting thread |
| Finish | Dark brown textured canopy |
| Overall Dimensions (LxDia) | 11.70" x 7.43" (297mm x 189mm) |
| Shipping Weight | 10.75 lbs (4.88 kg) each |

DIMENSIONAL DRAWINGS



ASSOCIATED PRODUCTS

| | |
|--|-------|
| Sonamp DSP 2-750 MKII Amplifier / Each | 93379 |
| LS12T SUB / Each | 93371 |
| LS15T SUB / Each | 93372 |
| HS12T SUB / Each | 93373 |
| 19" Ground Stake for LS6T SAT / Each | 92925 |
| Tree Mount for LS4T SAT / Each | 92927 |
| Surface Mount for LS4T SAT / Each | 92926 |

LIMITED FIVE (5) YEAR WARRANTY Sonance warrants to the first end-user purchaser that this Sonance-brand product ("Product"), when purchased from an authorized Sonance Dealer/Distributor, will be free from defective workmanship and materials for the period stated above. Sonance will at its option and expense during the warranty period, either repair the defect or replace the Product with a new or remanufactured Product or a reasonable equivalent. For more details please refer to the product manual.

©2021 Sonance. All rights reserved. Sonance is a registered trademarks of Dana Innovations. Due to continuous product improvement, all features and specifications are subject to change without notice. For the latest Sonance product specification information visit our website at www.sonance.com.

SONANCE • 991 Calle Amanecer • San Clemente, CA 92673 USA • Phone: (949) 492-7777 • Fax: (949) 361-5151 • Technical Support: (949) 492-7777 • www.sonance.com 08.03.2021