

SONANCE ARCHITECTURAL SERIES®

AS68RS SATELLITES WITH BPS8 BANDPASS SUBWOOFER



Award Winning Architectural Series Aesthetic and Best-in-class Sonic Performance

The AS68RS & BPS8 Subwoofer are the latest evolution in the Sonance Architectural Series. Using state-of-the-art materials, the AS68RS envelops a space with amazing, dynamic sound and can deliver the highest levels of performance and more powerful

bass when paired with the optional BPS8 in-ceiling Subwoofer. Featuring a trim-less design and completely flush aesthetic, they can be perfectly aligned with downlights and complement any architectural style.

Features and Benefits

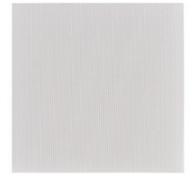
- Totally-flush and trim-less design provides minimalistic aesthetic without distracting shadow lines
- Round or square grille aesthetic to match design cues of the space
- State-of-the-art driver materials combined with cutting-edge design technology ensures clean and accurate tonality and smooth powerful bass response
- AS68RS has an independently pivoting woofer and tweeter allowing speakers to be positioned for best aesthetic while achieving best sonic performance and coverage
- TRUFIG-inspired mounting platform with precision grille leveling; delivers a high-quality, repeatable installation process in drywall, plaster, wood, and other solid surfaces
- Optional bandpass subwoofer utilizing same grille aesthetic delivers large speaker performance from a medium-sized form-factor



AS68RS



Round Grille



Square Grille



ASBPC6RS



BPS8 Subwoofer



ASBPC6RS



Round Grille

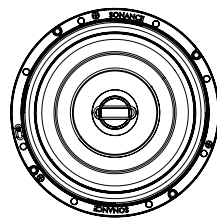


Square Grille

Specifications

AS68RS

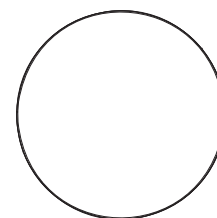
Diameter: 8" (203mm)
Depth: 5 3/16" (131mm)



Depth

AS68RS Round Grille

Diameter: 8" (203mm)



Diameter

AS68RS Square Grille

Width x Height: 8" x 8"
(203mm x 203mm)



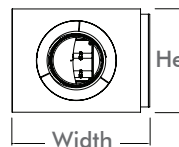
Height

Width

*Round & square grille included with speaker

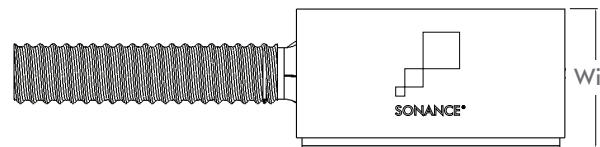
BPS8 Subwoofer

Height: 9 1/4" (235mm)
Width: 12 5/16" (313mm)
Depth: 24" (610mm)



Height

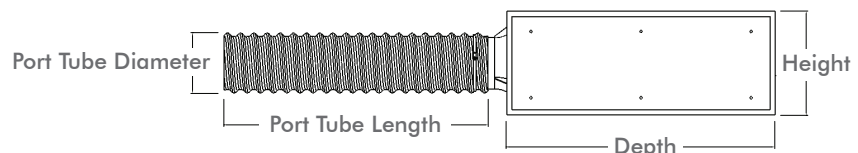
Width



Width

BPS8 Port Tube

Diameter: 4 1/2" (114mm)
Length: 22" (559mm)



Port Tube Diameter

Port Tube Length

Depth

Height

Specifications

ASBPC6RS

Diameter: 8" (203mm)
 Depth: 4 1/8" (105mm)

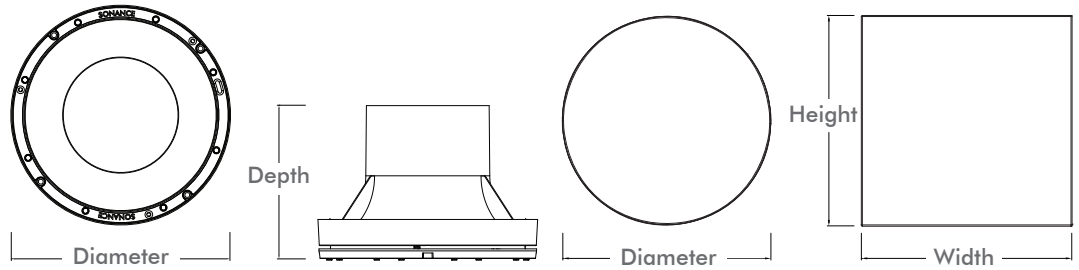
AS68RS Round Grille

Diameter: 8" (203mm)

AS68RS Square Grille

Width x Height: 8" x 8" (203mm x 203mm)

*Round & square grille included with coupler

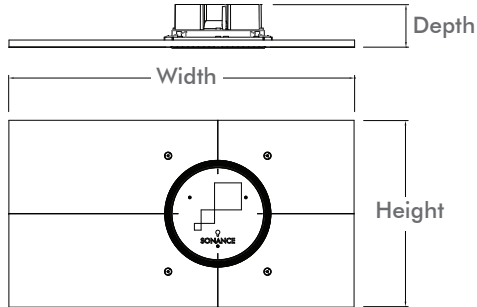


AS68 & BPS8 - Mounting Platform Specifications

1/2" Gypsum Mounting Platform AS Medium Round

5/8" Gypsum Mounting Platform AS Medium Round

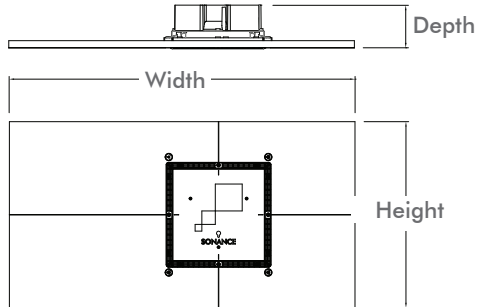
Height: 16 3/8" (416mm)
 Width: 30 13/32" (772mm)
 Depth: 3 13/16" (97mm)



1/2" Gypsum Mounting Platform AS Medium Square

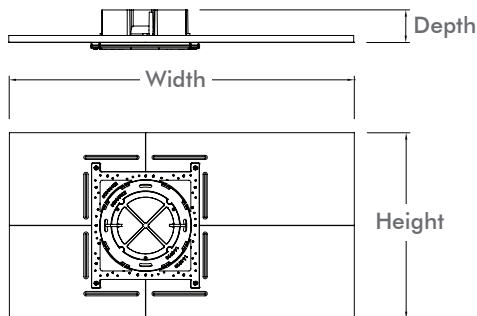
5/8" Gypsum Mounting Platform AS Medium Square

Height: 16 3/8" (416mm)
 Width: 30 13/32" (772mm)
 Depth: 3 13/16" (97mm)



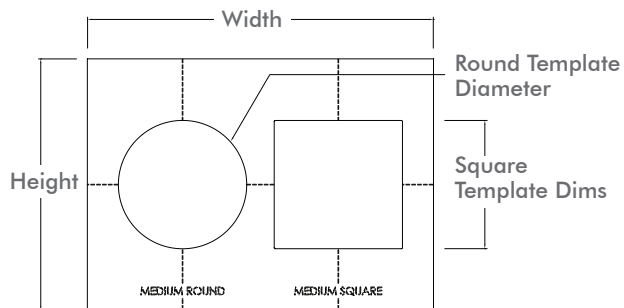
5/8" Solid Surface Mounting Platform AS Medium Round/Square

Height: 16 3/8" (416mm)
 Width: 30 13/32" (772mm)
 Depth: 3 13/16" (97mm)



Solid Surface Router Template AS Medium Round/Square

Height: 16 3/16" (412mm)
 Width: 22 5/16" (566mm)
 Round Template: 8 1/4" (210mm)*
 Square Template: 8 1/4" (210mm)* x
 8 1/4" (210mm)*



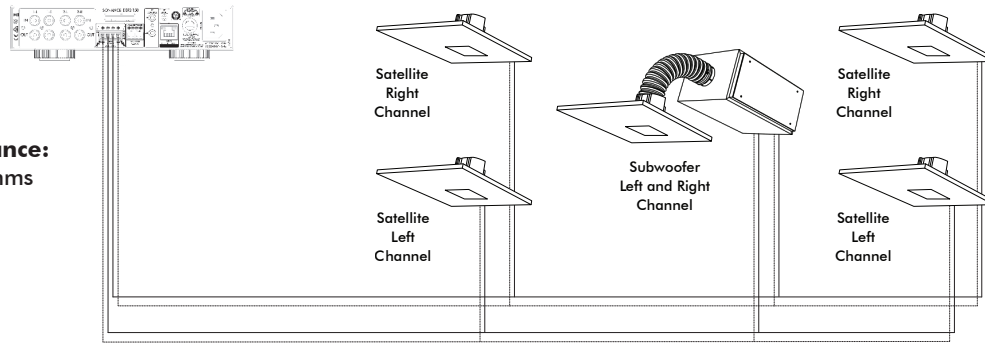
*WARNING: Opening is NOT actual size of installed product. Must be used with router bushings and bit specified on actual router template.

**See detailed instructions in manual at www.sonance.com/in-wall-in-ceiling/architectural-series

AS68RS System Wiring Option 4.1

AS System Wiring Diagram - 2 Channel Amplifier 4 AS68RS Satellite Speakers, 1 BPS8 Subwoofer

AS68RS System Impedance:
6 ohms nominal and 4 ohms
minimum per channel

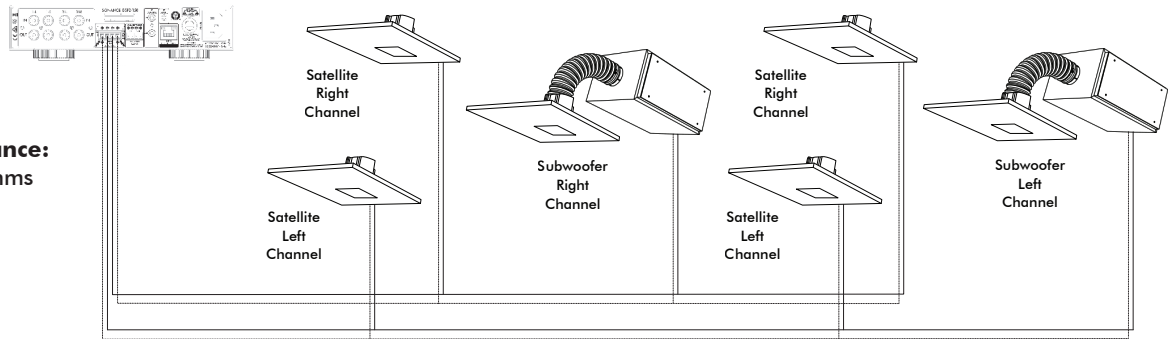


Home Run Wire To Each Speaker!

AS68RS System Wiring Option 4.2

AS System Wiring Diagram - 2 Channel Amplifier 4 AS68RS Satellite Speakers, 2 BPS8 Subwoofers

AS68RS System Impedance:
6 ohms nominal and 4 ohms
minimum per channel



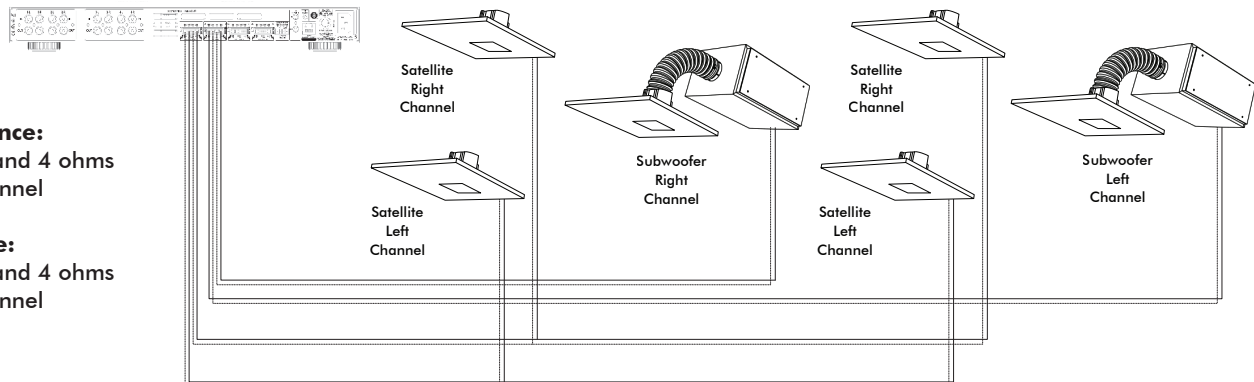
**Wire subwoofer voice coils in series. Home Run Wire To Each Speaker!*

AS68RS System Wiring Option 4.2 with Subwoofers on Separate Channel

AS System Wiring Diagram - 8 Channel Amplifier 4 AS68RS Satellite Speakers, 2 BPS8 Subwoofers

AS68RS Impedance:
6 ohms nominal and 4 ohms
minimum per channel

BPS8 Impedance:
6 ohms nominal and 4 ohms
minimum per channel



**Wire subwoofer voice coils in series. Home Run Wire To Each Speaker!*



SPECIFICATIONS

AS68RS

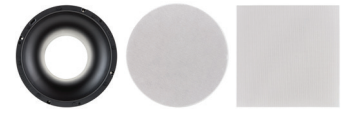
SKU	93042
UOM	Each
Tweeter	1" (25mm) ceramic dome, Ferrofluid-cooled, pivoting, in acoustic back chamber
Woofer	6 1/2" (165mm) carbon fiber / Rohacell laminated cone with a rubber surround, pivoting
Frequency Response	40Hz - 20kHz ±3dB
Impedance	6 ohms nominal; 4 ohms minimum
Power Handling	5 watts minimum; 150 watts maximum
Sensitivity	90dB SPL (2.83V/1 meter)
Grille	Shipped w/ Round 8" (203mm) and Square 8" (203mm) perforated steel grilles
High Pass Filter	90Hz 6dB per Octave
Dimensions (Dia. x D)	8" x 5 3/16" (203mm x 131mm)
Shipping Weight	8 lbs (3.62kg) each



SPECIFICATIONS

BPS8

SKU	93044
UOM	Each
Woofer	8" (203mm) dual voice coil, carbon fiber / Rohacell laminated cone with a rubber surround
Frequency Response	30Hz – 90Hz ±3dB
Impedance	6 ohms nominal; 4 ohms minimum
Power Handling	150 watts maximum
Sensitivity	90dB SPL (2.83V/1 meter)
Dimensions Sub (H x W x D)	9 1/4" x 12 5/16" x 24" (235mm x 313mm x 610mm)
Dimensions Port Tube (Dia. x Length)	4 1/2" x 22" (114mm x 559mm)
Shipping Weight	45 lbs (20.41kg) each



SPECIFICATIONS

ASBPC6RS

SKU	93074
UOM	Each
Grille	Shipped w/ Round 8" (203mm) and Square 8" (203mm) perforated steel grilles
Dimensions (Dia. x D)	8" x 4 1/8" (203mm x 105mm)
Shipping Weight	2 lbs (.94kg) each

Architectural Series Associated Products

1/2" Gypsum Mounting Platform
AS Medium Round 93049



5/8" Gypsum Mounting Platform
AS Medium Round 93051



Solid Surface Mounting Platform
AS Medium RS 93055



1/2" Gypsum Mounting Platform
AS Medium Square 93050



5/8" Gypsum Mounting Platform
AS Medium Square 93052



Solid Surface Router Template
AS Medium RS 93058



Medium Retrofit Enclosure 92343



Sonamp 2-100 (Each) 93091



Sonamp DSP 2-150 (Each) 93093



Sonamp 12-50 (Each) 93092



Sonamp DSP 8-130 (Each) 93094



LIMITED WARRANTY

Sonance warrants to the first end-user purchaser that this Sonance-brand Subwoofer product ("Product") and Mounting Platforms, when purchased from an authorized Sonance Dealer/Distributor, will be free from defective workmanship and materials for fifteen (15) years. The Speaker and Band Pass Connector have a limited lifetime warranty, the grille is warranted for five (5) years. Sonance will at its option and expense either repair the defect or replace the Product with a new or remanufactured Product or a reasonable equivalent.



©2014 Sonance. All rights reserved.

Sonance and Architectural Series are registered trademarks of Dana Innovations.

Due to continuous product improvement, all features and specifications are subject to change without notice. For the latest Sonance product specification information visit our website: www.sonance.com

SONANCE • 212 Avenida Fabricante • San Clemente, CA 92672-7531 USA

(800) 582-7777 or (949) 492-7777 • FAX: (949) 361-5151 • Technical Support: (800) 582-0772

www.sonance.com