

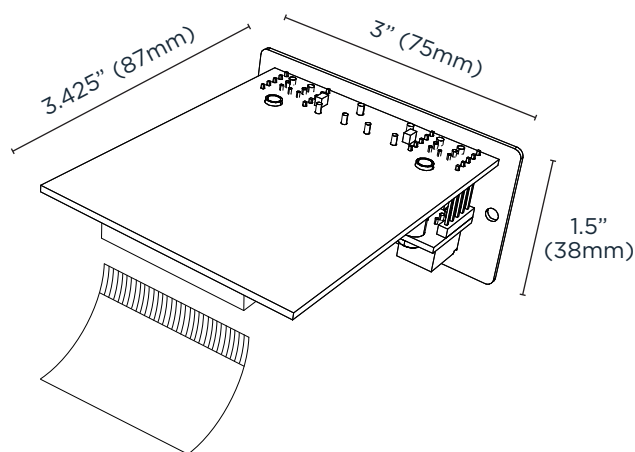
# SONANCE

## DIGITAL INPUT MODULE DATA SHEET

### TECHNICAL SPECIFICATIONS

SKU	93099
UOM	Each
Compatible With	DSP 2-150 MKII, DSP 8-130 MKII, DSP 2-750 MKII
Input Signal	PCM Audio (not compatible with 5.1/7.1 surround sound)
Bit Rate	16 - 24 bit
Sample Frequency	44.1 - 96kHz
Input 1	Toslink optical digital or Coaxial digital (only one can be used)
Loop Output 1	Buffered Toslink optical or Coaxial digital
Input 2	Toslink optical digital or Coaxial digital (only one can be used)
Loop Output 2	Buffered Toslink optical or Coaxial digital
Dimensions (WxHxD)	3" x 1.5" x 3.425" (75mm x 38mm x 87mm)
Depth with RCAs (D)	3.66" (93mm)
Shipping Weight	1 lbs. (0.45kg)

### DIMENSIONAL DRAWINGS



### ASSOCIATED PRODUCTS

#### SONAMP DSP AMPLIFIERS

DSP 2-150 MKII	93378
DSP 8-130 MKII	93331
DSP 2-750 MKII	93379

#### LIMITED TWO (2) YEAR WARRANTY

Sonance warrants to the first end-user purchaser that this Sonance-brand product ("Product"), when purchased from an authorized Sonance Dealer/Distributor, will be free from defective workmanship and materials for the period stated above. Sonance will at its option and expense during the warranty period, either repair the defect or replace the Product with a new or remanufactured Product or a reasonable equivalent. For more details please refer to the product manual.

©2021 Sonance. All rights reserved. Sonance is a registered trademarks of Dana Innovations. Due to continuous product improvement, all features and specifications are subject to change without notice. For the latest Sonance product specification information visit our website at [www.sonance.com](http://www.sonance.com).

SONANCE • 991 Calle Amanecer • San Clemente, CA 92673 USA • Phone: (949) 492-7777 • Fax: (949) 361-5151 • Technical Support: (949) 492-7777 • [www.sonance.com](http://www.sonance.com) • 03.17.2021