



INSTRUCTION SHEET

SONANCE SYMPHONY® T-SERIES COVERPLATE

INTRODUCTION

Sonance Symphony® T coverplates provide a quick and easy way to protect speaker mounting holes in drywall during construction. When the speaker is installed the coverplate is removed and can be re-used in another installation.

BOX CONTENTS

The Symphony T coverplate box should contain the following items (see *Illustration 1*):

- (1) Coverplate
- (1) Plastic Insert
- (1) Outer Clamp Bar
- (1) Inner Clamp Bar
- (1) Bolt

ASSEMBLY

1. Slide the Inner Clamp Bar into the Outer Clamp Bar so that both sets of threaded holes in both bars are aligned.
2. Insert the Plastic Insert through the slots in the center of the Coverplate (see *Illustration 2*).
3. Place the Clamp Bar assembly into the plastic insert so that the threaded holes marked "T" are aligned with the hole in the Coverplate (see *Illustration 2*).
 - Make sure the flat side of the Clamp Bar is facing away from the Coverplate.
4. Insert the Bolt through the hole in the front of the Coverplate and screw it into threaded holes "T" in the Clamp Bars.
 - Screw the bolt about halfway into the Clamp Bars.

Illustration 1

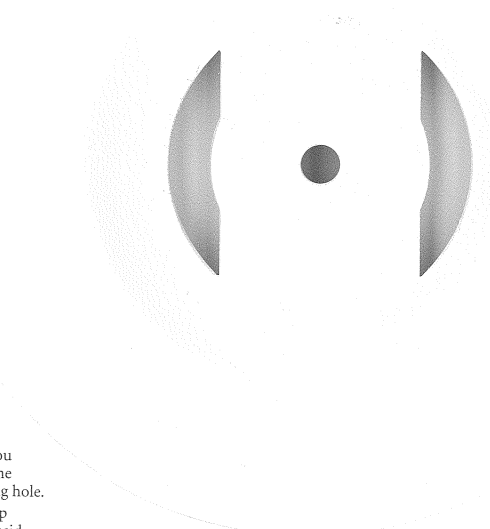
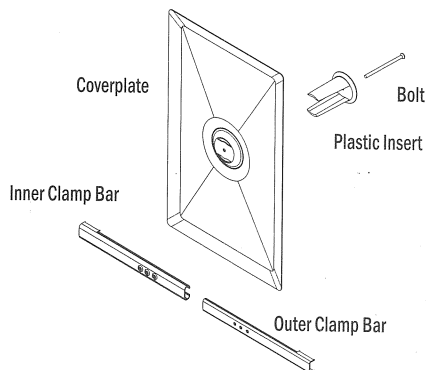
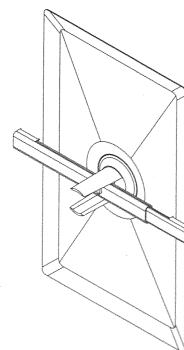


Illustration 2



INSTALLATION

1. Holding the assembled Coverplate at an angle, insert one side of the Clamp Bar into the speaker mounting hole, then maneuver the assembly so you can insert the other side of the Clamp Bar into the mounting hole.
2. Once both sides of the Clamp Bar are behind the drywall inside the speaker mounting hole, position the assembly so that the coverplate completely covers the hole in the drywall.
3. Tighten the bolt so the Clamp Bar firmly holds the Coverplate assembly in the mounting hole (see *Illustration 3*).

CAUTION: Always use low-torque settings. NEVER over-tighten.

4. Remove this instruction sticker.

Illustration 3

