

# INSTALLATION INSTRUCTIONS

## FIRE - RATED (LISTED) SHALLOW & DEEP BACKCANS FOR SONANCE SPEAKERS



### Introduction

Thank you for purchasing the Sonance model 92807 shallow (in-wall) or model 92808 deep (in-ceiling) fire-rated speaker backcan.

- The Intertek Listed\* fire-rated shallow speaker backcan is a component in the Sonance In-Wall Speaker System (WHI Design Listing DII/PV 60-08), comprised of an Intertek Listed fire-rated shallow metal backcan (Sonance model # 92807), a Sonance Flex bracket (available separately) and a Sonance in-wall speaker (or equivalent speaker) or a metal coverplate to protect the exposed opening.
- The Intertek Listed\* fire-rated deep speaker backcan is a component in the Sonance In-Ceiling Speaker System (WHI Design Listing DII/PV 60-09), comprised of an Intertek Listed fire-rated deep metal backcan (Sonance model # 92808), a Sonance Flex bracket (available separately) and a Sonance in-ceiling speaker (or equivalent speaker) or a metal coverplate to protect the exposed opening.

NOTE: THE INCLUSION OF A SONANCE FLEX BRACKET AND SONANCE IN-WALL OR IN-CEILING SPEAKER (OR EQUIVALENT SPEAKER), OR A METAL COVERPLATE TO PROTECT THE EXPOSED OPENING IS REQUIRED IN THIS ASSEMBLY TO ACHIEVE THE 1-HR FIRE-RESISTANCE RATING.

### Compatible Speaker Models

Sonance fire-rated shallow & deep speaker backcans can be used with all Sonance in-wall and in-ceiling speaker models EXCEPT FOR THE FOLLOWING MODELS:

- All Sonance Virtuoso® in-wall (rectangular) speakers
- All Sonance Ellipse® speakers
- All Sonance Cinema® series speakers (LCR1/2 and SUR1/2)
- Sonance Cinema® Ultra II LCR, SUR, Cinema SUB and Cinema TWO SUB
- Sonance Silhouette® I and II

### Box Contents

The shipping box contains the following:

- (1) Intertek Listed Sonance Fire-Rated Backcan
- (2) Snap2it™ wire clamps

### Installation in a Wall or Ceiling

NOTE: THE INSTALLATION PROCEDURE IS THE SAME FOR SHALLOW AND DEEP BACKCAN MODELS.

1. Determine the location for the speaker according to the speaker's instruction manual.
2. Run speaker wire to the speaker location.  
NOTE: ALWAYS CHECK LOCAL BUILDING CODES BEFORE RUNNING WIRES THROUGH WALLS.
3. Open one of the knockouts in the Backcan and install one of the Snap2it™ wire clamps into the open knockout.  
NOTE: A SECOND SNAP2IT™ WIRE CLAMP IS INCLUDED FOR DAISY-CHAINED INSTALLATIONS. A SECOND KNOCK-OUT ON THE BACKCAN WILL NEED TO BE REMOVED FOR THIS TYPE OF INSTALLATION.
4. Attach the Backcan to the studs/joists through the pre-drilled holes in the Backcan flange using a minimum of four (4) #8 x 1¼-inch long screws, one applied to each corner. See Figure 1.

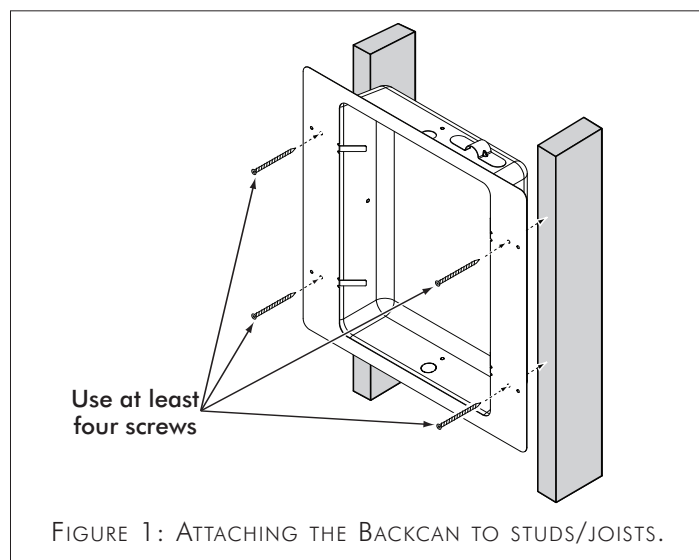


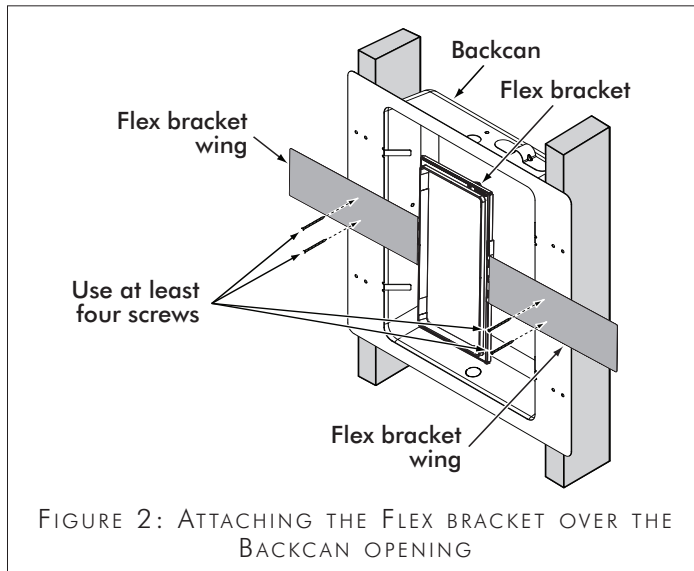
FIGURE 1: ATTACHING THE BACKCAN TO STUDS/JOISTS.

5. Insert speaker wire through the Snap2it™ clamp and into the backcan. Leave enough slack to connect the speaker.

continued on page 2

## FIRE-RATED (LISTED) SHALLOW & DEEP BACKCANS FOR SONANCE IN-WALL AND IN-CEILING SPEAKERS

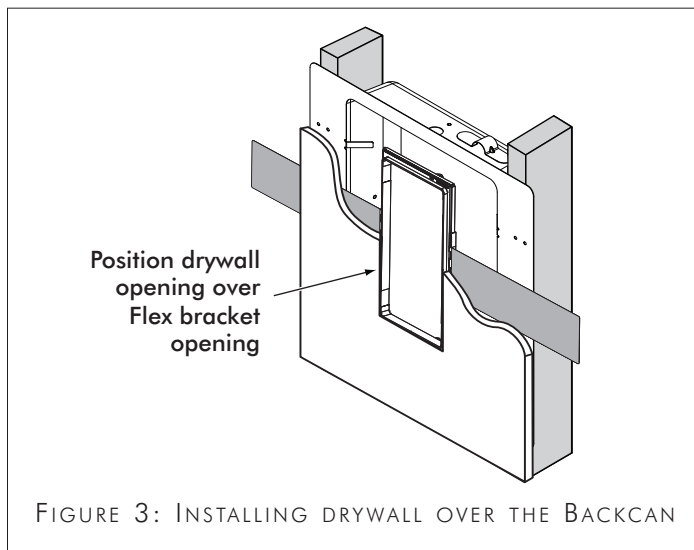
6. Attach a Sonance Flex bracket or Sonance Architectural Series mounting platform (appropriate for the speaker model being installed) over the backcan opening in the exact speaker mounting location according to the directions in its instruction manual. Drive at least 4 drywall screws into the studs/joists, directly through the Flex bracket wings and the Backcan flange. See Figure 2.



7. Cut a hole in the gypsum board that matches the opening in the Flex bracket or Architectural Series bracket.

NOTE: GYPSUM BOARD WALL ASSEMBLY CONSISTING OF ANY GYPSUM BOARD WALL ASSEMBLY, ONE-HOUR RATED IN ACCORDANCE WITH ASTM E119, UL 263, NFPA 251, OR CAN/ULC S 101.

8. Install the gypsum board over the Backcan so that the hole is aligned with the bracket opening. See Figure 3.



9. Follow the instructions included with the speaker for the remainder of the installation, or install a metal coverplate to close the Backcan opening.

\*See Intertek Directory of Listed Building Products at: [http://etlwhidirectory.etlsemko.com/WebClients/ITS/DLP/Products.nsf/\\$\\$Search?OpenForm](http://etlwhidirectory.etlsemko.com/WebClients/ITS/DLP/Products.nsf/$$Search?OpenForm)

## LIMITED FIVE (5) YEAR WARRANTY

Sonance warrants to the first end-user purchaser that this Sonance-brand product ("Product"), when purchased from an authorized Sonance Dealer/Distributor, will be free from defective workmanship and materials for the period stated below. Sonance will at its option and expense during the warranty period, either repair the defect or replace the Product with a new or remanufactured Product or a reasonable equivalent.

## EXCLUSIONS

TO THE EXTENT PERMITTED BY LAW, THE WARRANTY SET FORTH ABOVE IS IN LIEU OF, AND EXCLUSIVE OF, ALL OTHER WARRANTIES, EXPRESS OR IMPLIED, AND IS THE SOLE AND EXCLUSIVE WARRANTY PROVIDED BY SONANCE. ALL OTHER EXPRESS AND IMPLIED WARRANTIES, INCLUDING THE IMPLIED WARRANTIES OF MERCHANTABILITY, IMPLIED WARRANTY OF FITNESS FOR USE, AND IMPLIED WARRANTY OF FITNESS FOR A PARTICULAR PURPOSE ARE SPECIFICALLY EXCLUDED. No one is authorized to make or modify any warranties on behalf of Sonance.

The warranty stated above is the sole and exclusive remedy and Sonance's performance shall constitute full and final satisfaction of all obligations, liabilities and claims with respect to the Product. IN ANY EVENT, SONANCE SHALL NOT BE LIABLE FOR CONSEQUENTIAL, INCIDENTAL, ECONOMIC, PROPERTY, BODILY INJURY, OR PERSONAL INJURY DAMAGES ARISING FROM THE PRODUCT, ANY BREACH OF THIS WARRANTY OR OTHERWISE.

This warranty statement gives you specific legal rights, and you may have other rights which vary from state to state. Some states do not allow the exclusion of implied warranties or limitations of remedies, so the above exclusions and limitations may not apply. If your state does not allow disclaimer of implied warranties, the duration of such implied warranties is limited to period of Sonance's express warranty.

---

Your Product Model and Description: Fire-rated Backcan

Warranty Period for this Product: Five (5) years from the date on the original sales receipt or invoice or other satisfactory proof of purchase.

Additional Limitations and Exclusions from Warranty Coverage: The warranty described above is non-transferable, applies only to the initial installation of the Product, does not include installation of any repaired or replaced Product, does not include damage to allied or associated equipment which may result for any reason from use with this Product, and does not include labor or parts caused by accident, disaster, negligence, improper installation, misuse (e.g. overdriving the amplifier or speaker, excessive heat or cold or humidity, outdoor installation), or from service or repair which has not been authorized by Sonance.

Obtaining Authorized Service: To qualify for the warranty, you must contact your authorized Sonance Dealer/Installer or call Sonance Customer Service at (800) 582-0772 within the warranty period, must obtain a return merchandise number (RMA), and must deliver the Product to Sonance shipping prepaid during the warranty period, together with the original sales receipt, or invoice or other satisfactory proof of purchase.



**SONANCE®**

©2008 Sonance. All rights reserved. Sonance, Sonance Architectural Series, Sonance Virtuoso, Sonance Ellipse, Sonance Cinema, and Sonance Silhouette are registered trademarks of Dana Innovations.

Due to continuous product improvement, all specifications are subject to change without notice.

For the latest Sonance product specification information visit our website: [www.sonance.com](http://www.sonance.com)

SONANCE • 991 Calle Amanecer • San Clemente, CA 92673

USA 949-492-7777 • FAX: 949-361.5151

**www.sonance.com**