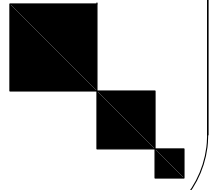
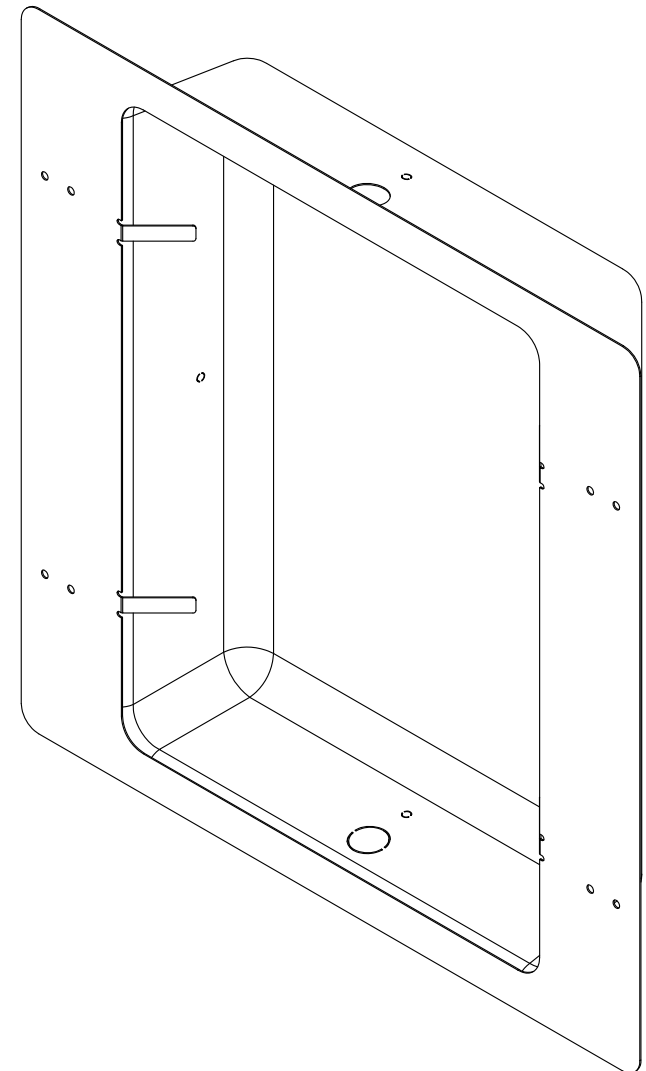


- NOTES:
1. MATERIAL: AWG#18 (.04") COLD ROLLED STEEL
 2. FINISH: RUST PREVENTIVE GRAY
 3. INSULATION: CERAMIC FIBER FIRE BLANKET



SONANCE
 212 Avenida Fabricante, San Clemente, CA. 92630
 800 582-7777 949 492-7777 FAX 949 361-5579
 www.sonance.com

SCALE: 1:4
 SHEET: 1 OF 1

DRAWN BY: A.B.
 RELEASED ON: 4FEB09

SHALLOW FIRE RATED BACKCAN
 DRAWN - PART NUMBER
 REV.