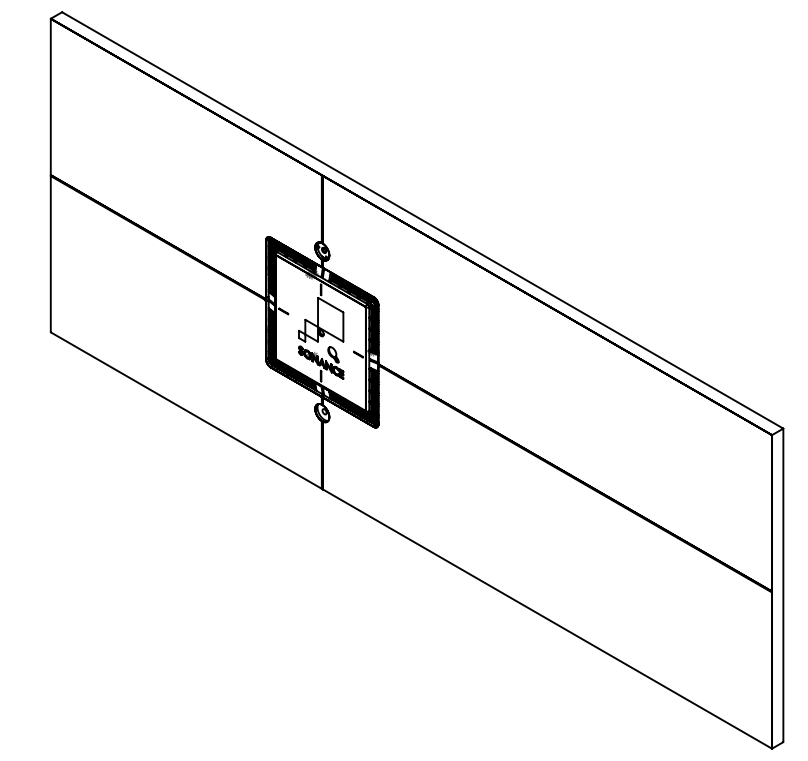
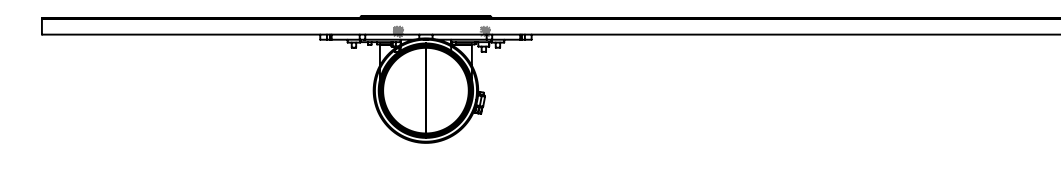
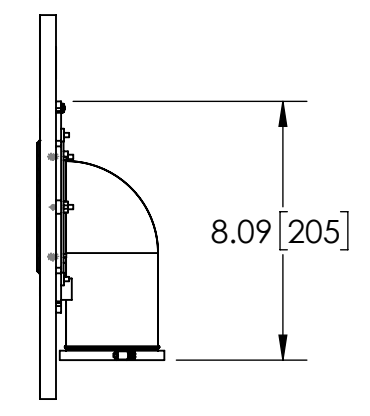
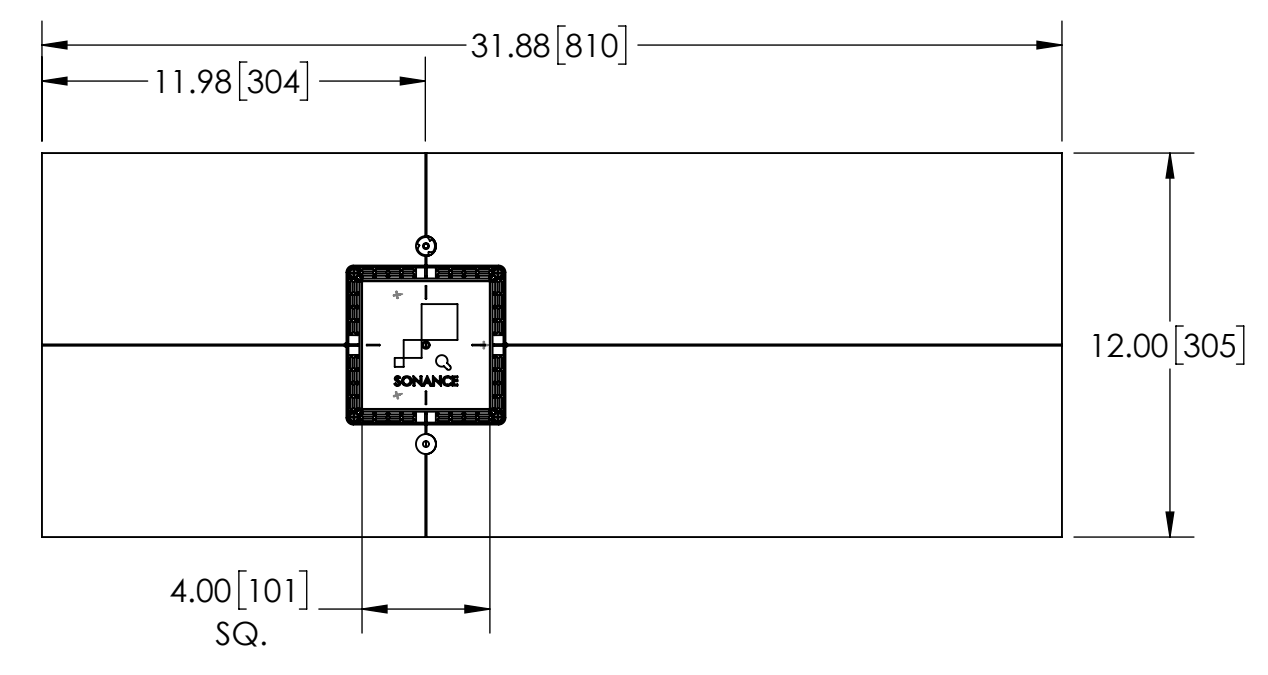
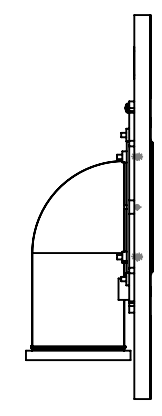
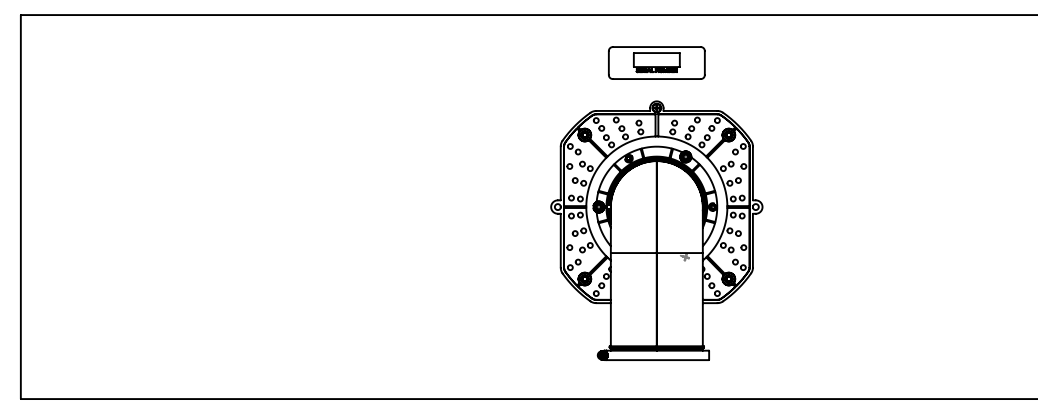
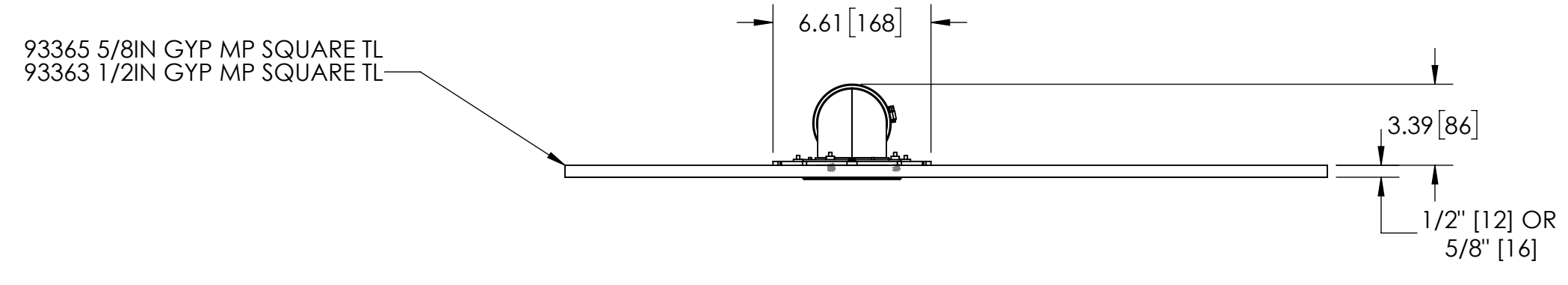


REVISIONS					
REV.	ZONE	DESCRIPTION	DATE	NAME	ECO
1		INITIAL RELEASE	02-JUL-18	AB	



SONANCE
 991 CALLE AMANECER, SAN CLAMENTS, CA. 22673
 949 492-7777 FAX 949 361-5579
 www.sonance.com

SCALE: 1:6
 SHEET: 1 OF 1
 DRAWN BY: AB
 RELEASED ON: 23 JAN 18

AS MP GYP SQUARE AS 3.5 TL

REV.
 DRAWN - PART NUMBER
 SIZE
C