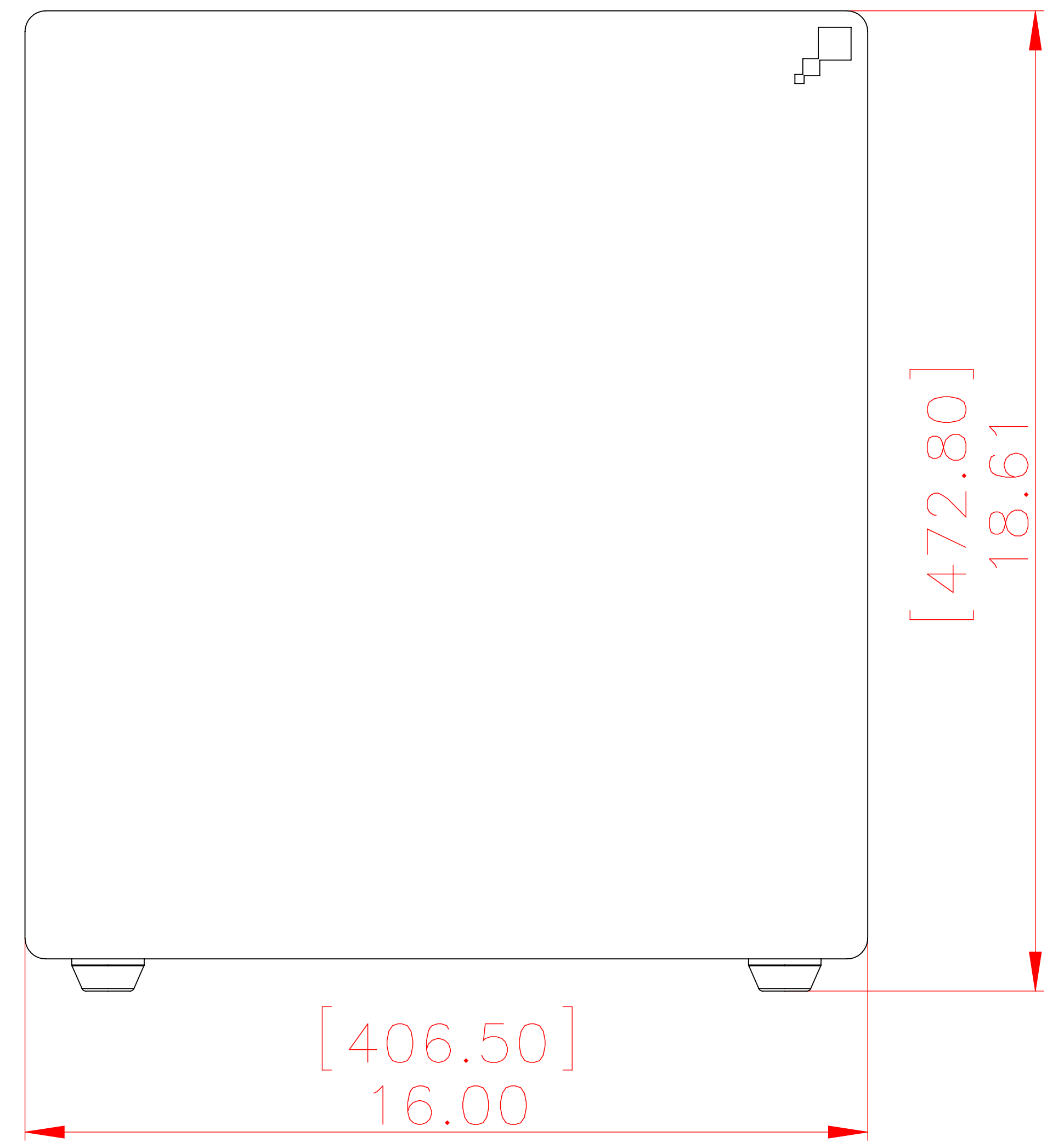
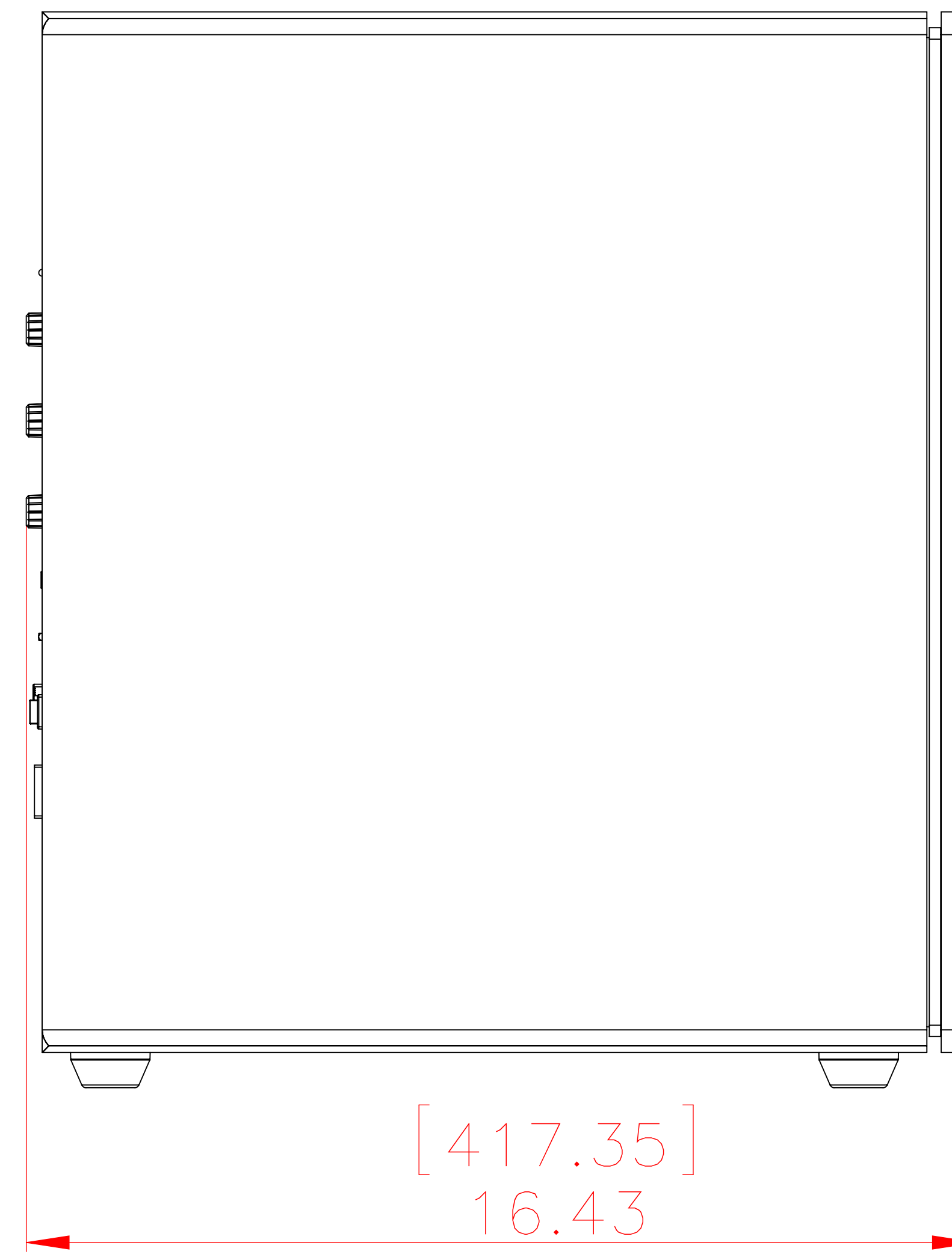


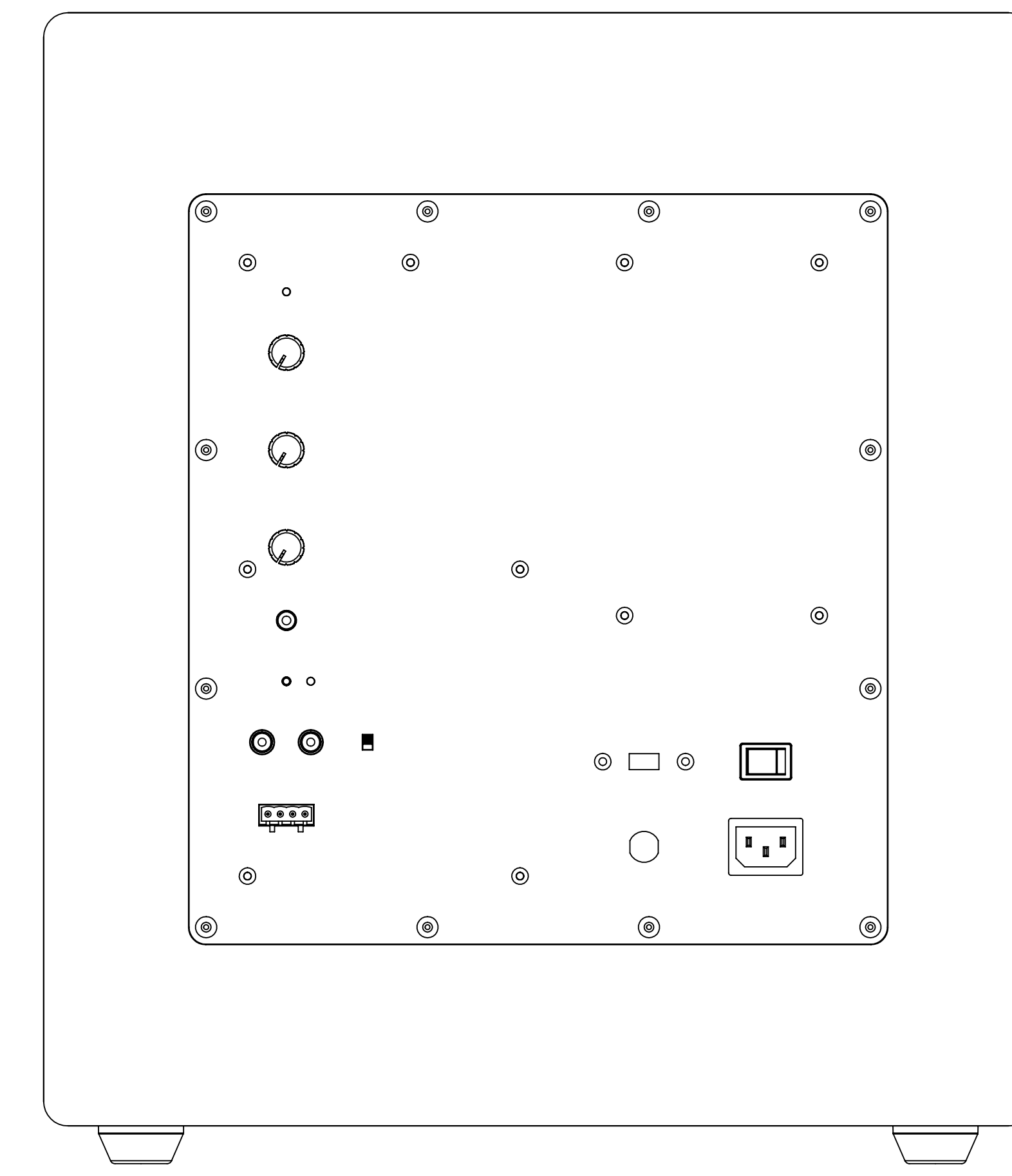
FRONT



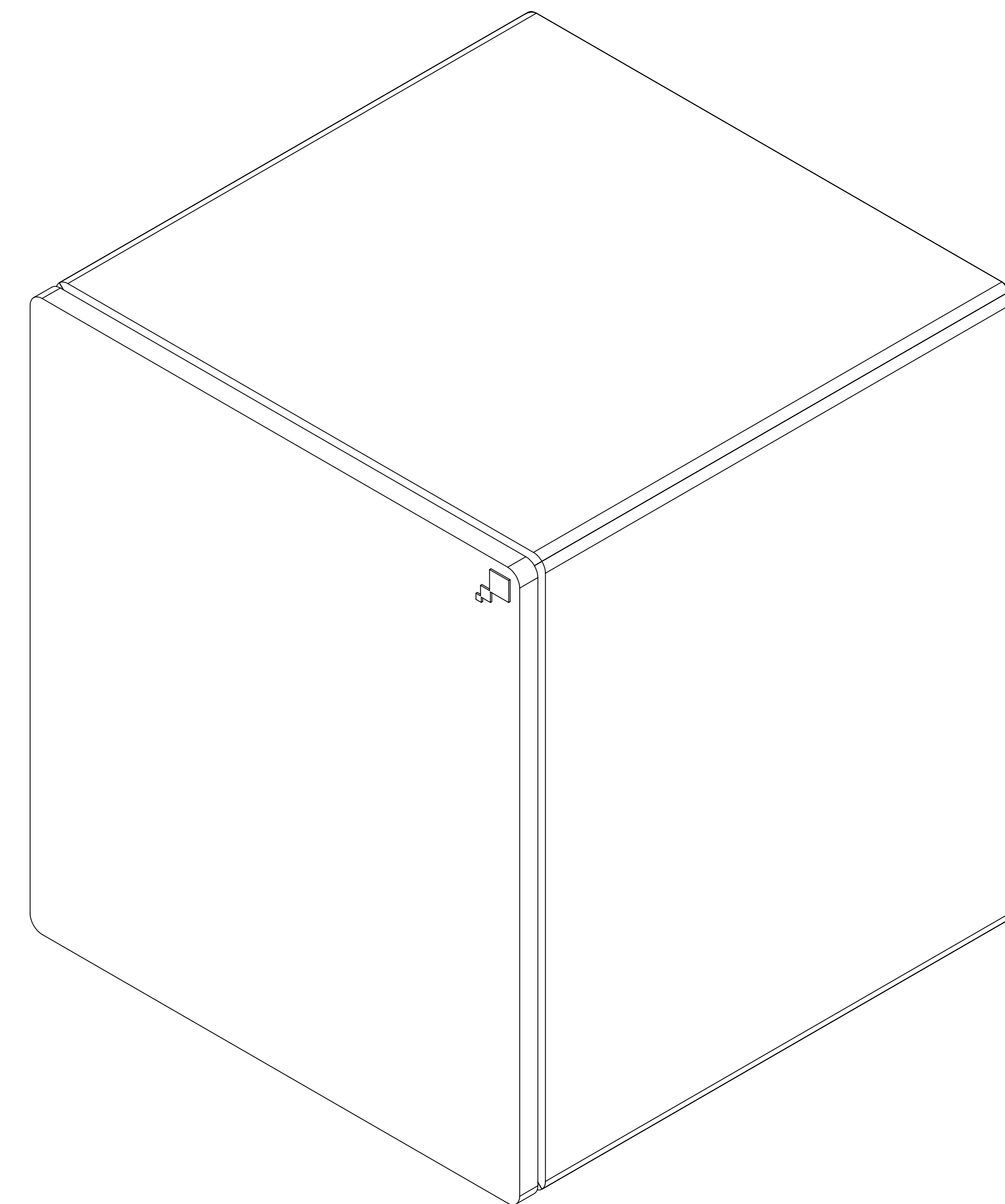
LEFT



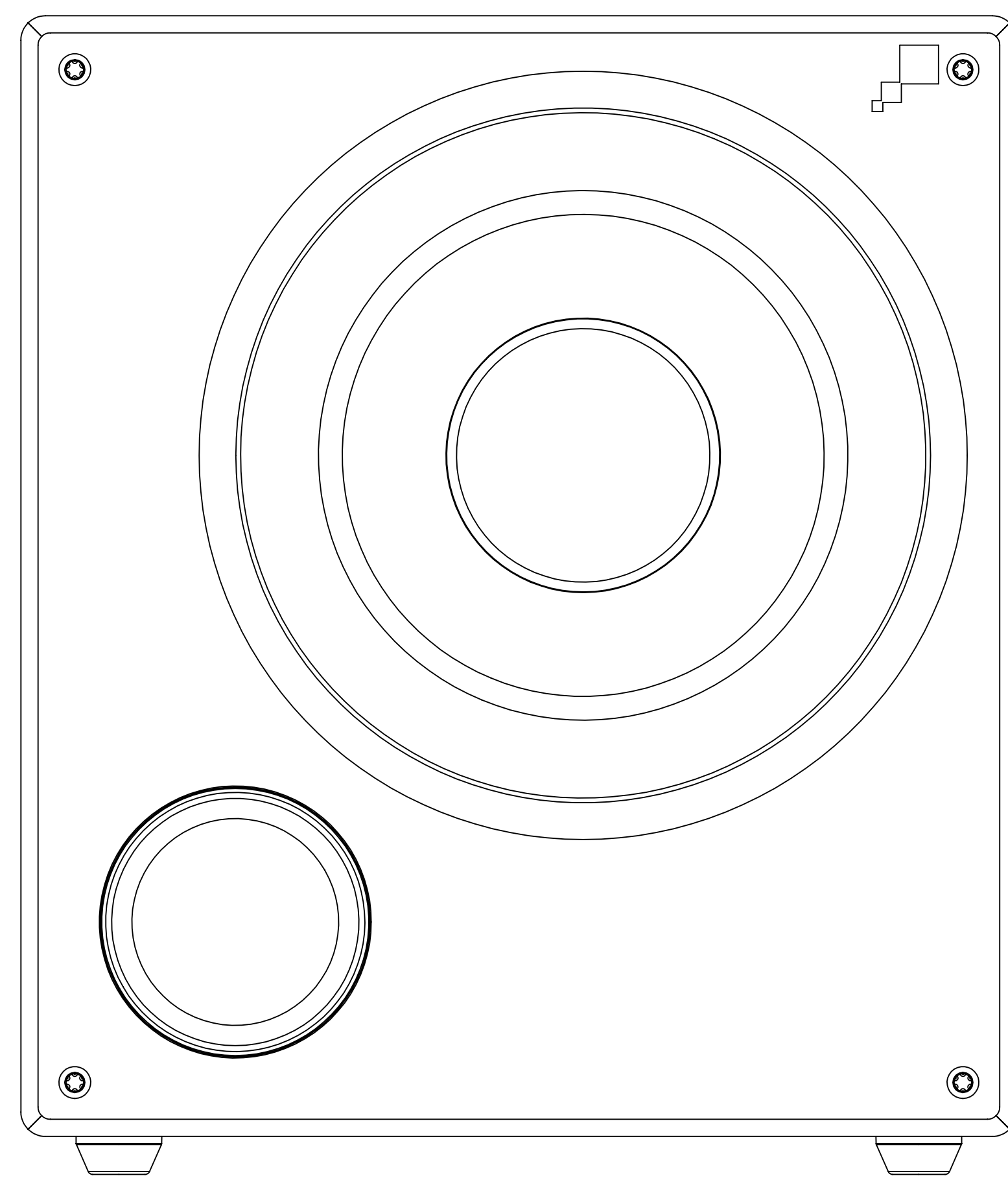
BACK



ISOMETRIC



FRONT VIEW WITHOUT GRILLE



Impact i12 Subwoofer

REV.

DRWN - PART NUMBER

DRAWN BY:

SCALE: 1 : 2

SHEET: 01 OF 01 RELEASED ON:

SONANCE
 991 Calle Amanecer, San Clemente, CA, 92672
 949 492-7777 FAX 949 361-5579
 www.sonance.com

