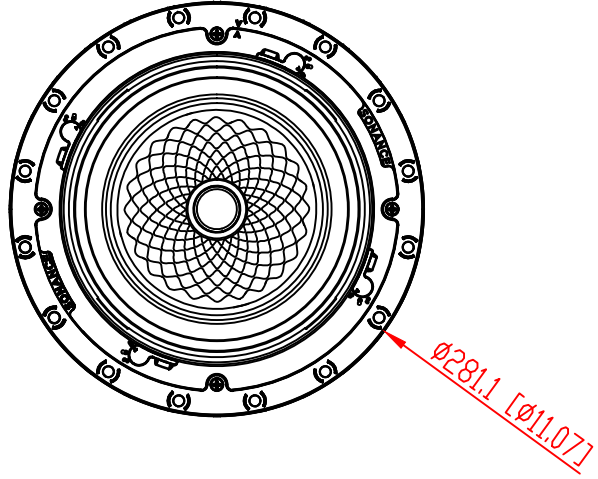
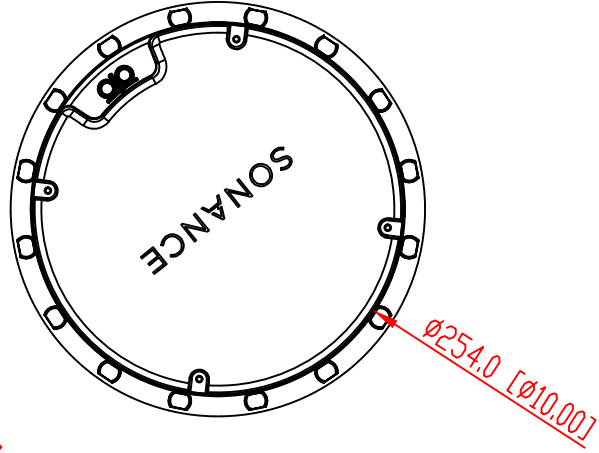


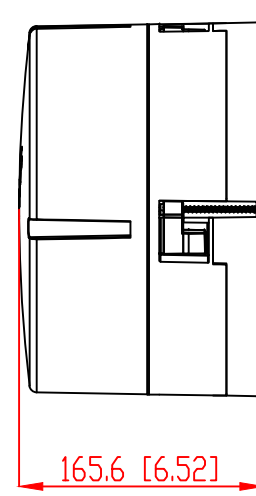
FRONT



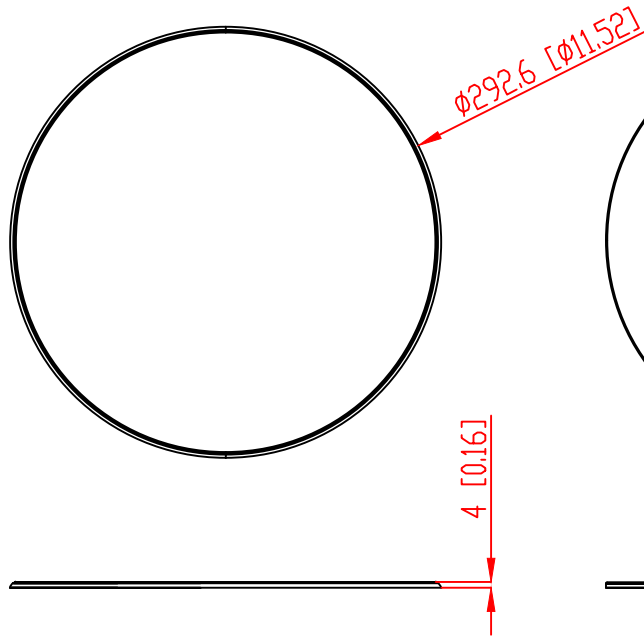
BACK / MINIMUM CUTOUT



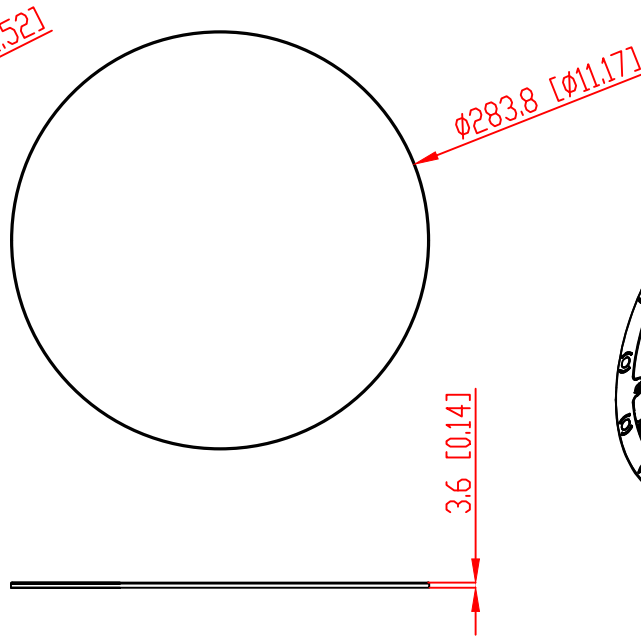
MOUNTING DEPTH



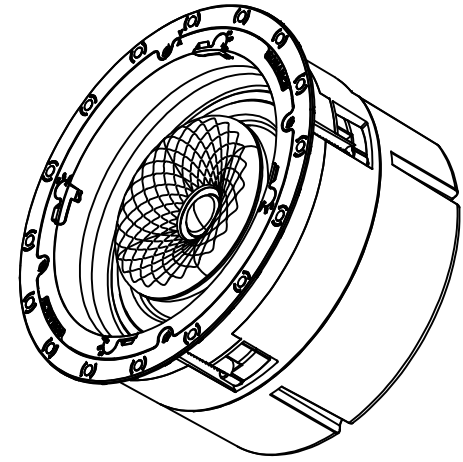
MICRO TRIM GRILLE



TRIMLESS GRILLE



ISOMETRIC



VX82R WITH RETROFIT ENCLOSURE SPEAKER

SCALE: 4 : 5	DRAWN BY: Roy	DRAWN - PART NUMBER	REV.
SHEET: 0F	RELEASED DIM		

991 Calle Amanecer  
 San Clemente, California 92673 USA  
 949-492-7777  
 WWW.SONANCE.COM

**SONANCE**