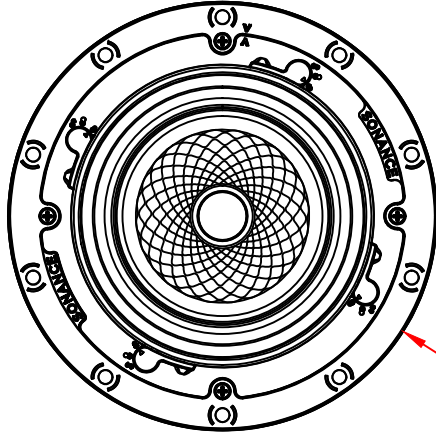
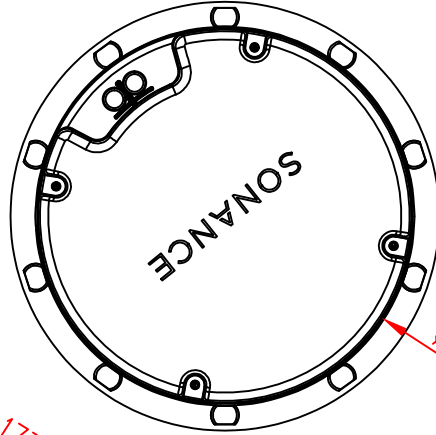


FRONT



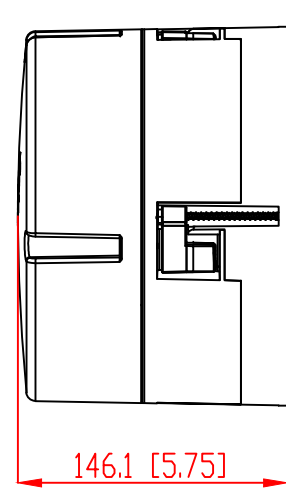
$\phi 232.8$ [$\phi 9.17$]

BACK / MINIMUM CUTOUT



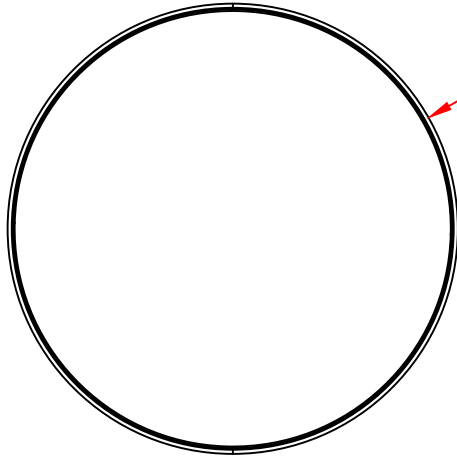
$\phi 205.7$ [$\phi 8.10$]

MOUNTING DEPTH



146.1 [5.75]

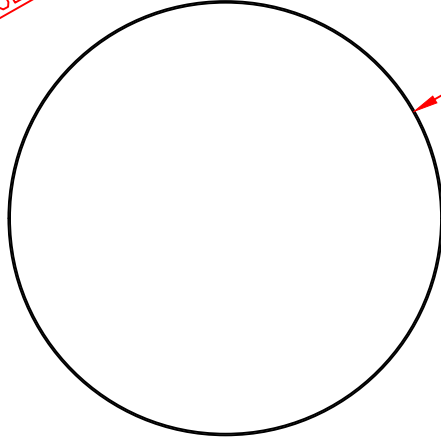
MICRO TRIM GRILLE



$\phi 244.4$ [$\phi 9.62$]

4.0 [0.16]

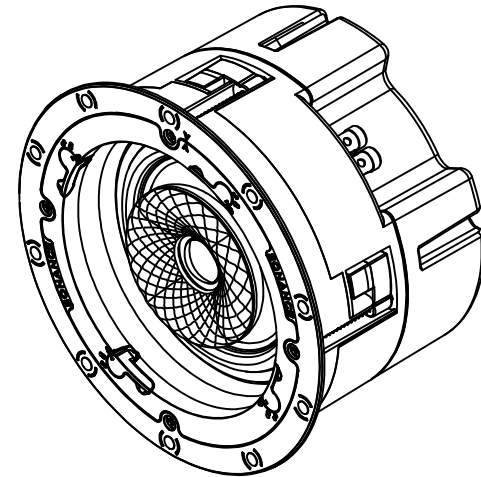
TRIMLESS GRILLE



$\phi 235.6$ [$\phi 9.28$]

3.6 [0.14]

ISOMETRIC



991 Calle Amanecer
San Clemente, California 92673 USA
949-492-7777
www.sonance.com

VX66R WITH RETROFIT ENCLOSURE SPEAKER

SCALE: 1 : 1
SHEET: 0F

DRAWN BY: Roy

REV.

SONANCE