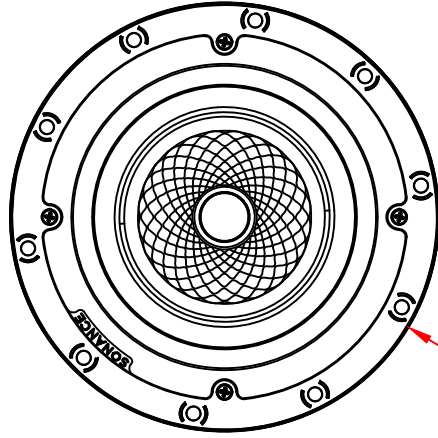
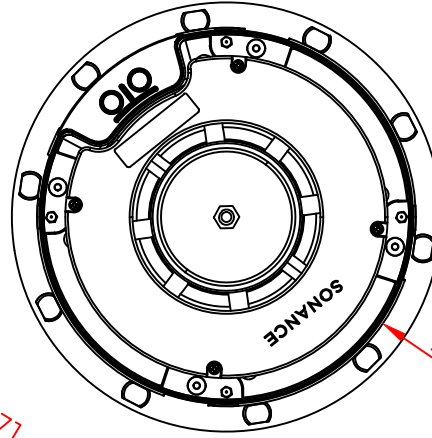


FRONT



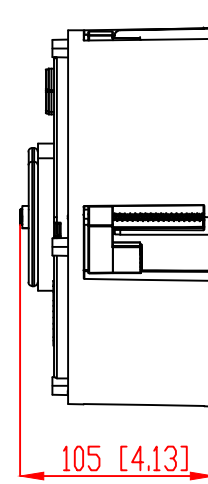
$\phi 232.8$  [ $\phi 9.17$ ]

BACK / MINIMUM CUTOUT



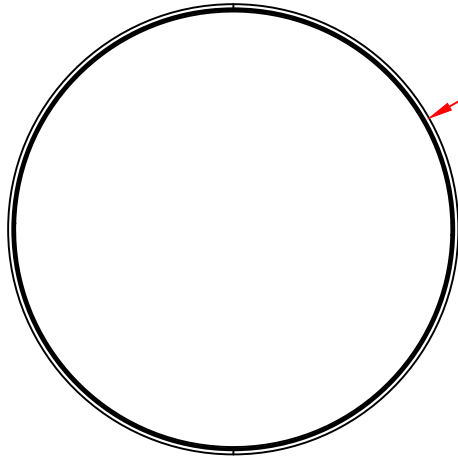
$\phi 205.6$  [ $\phi 8.09$ ]

MOUNTING DEPTH



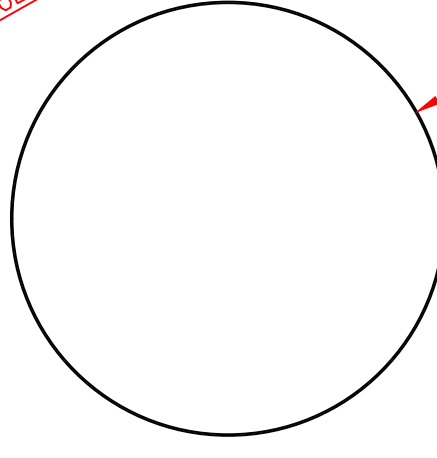
105 [4.13]

MICRO TRIM GRILLE



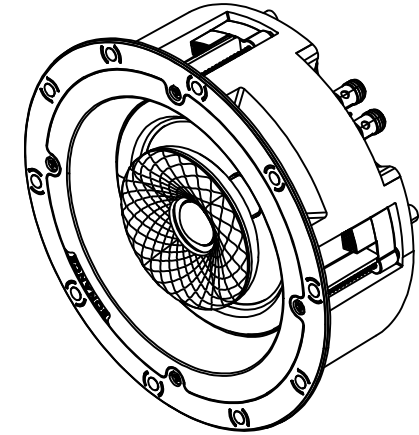
4.0 [0.16]

TRIMLESS GRILLE



3.6 [0.14]

ISOMETRIC



991 Calle Amanecer  
San Clemente, California 92673 USA  
949-492-7777  
www.sonance.com

VX60R SPEAKER

SCALE: 1 : 1  
SHEET: 01

DRAWN BY: Roy  
DRAWN - PART NUMBER

REV.

**SONANCE**