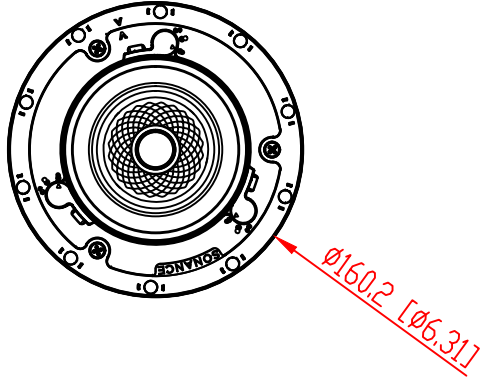
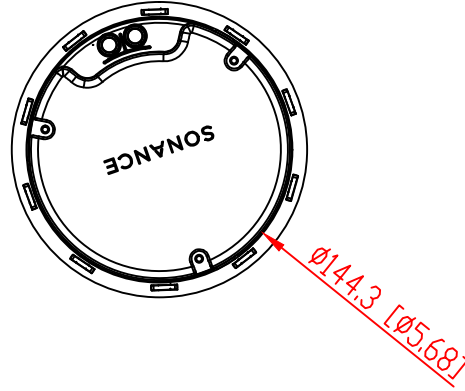


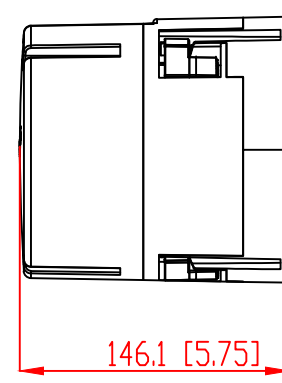
FRONT



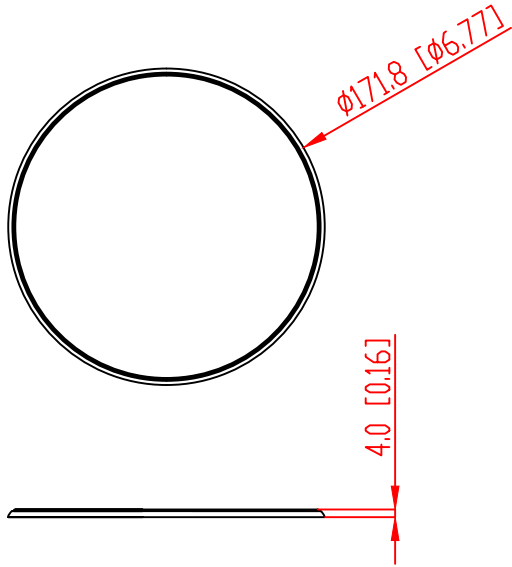
BACK / MINIMUM CUTOUT



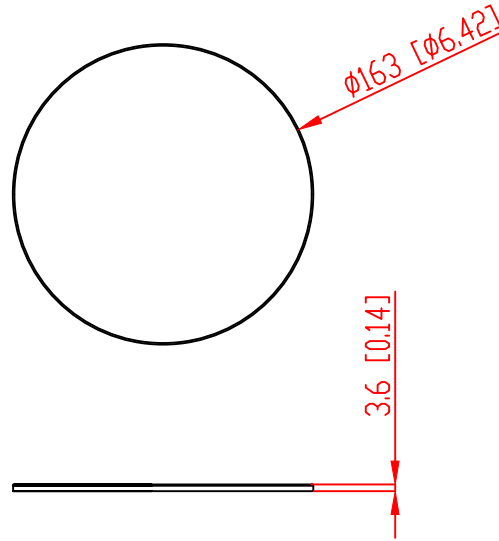
MOUNTING DEPTH



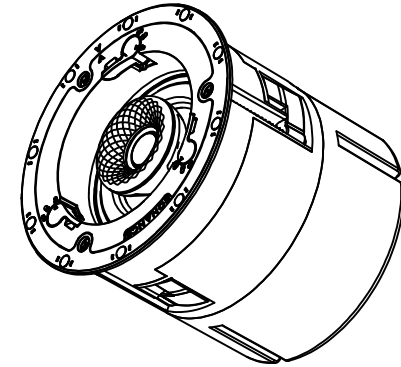
MICRO TRIM GRILLE



TRIMLESS GRILLE



ISOMETRIC



VX46R WITH RETROFIT ENCLOSURE

SCALE: 1:1  
SHEET: 0F

DRAWN BY: Roy  
DRAWN - PART NUMBER

REV.

991 Calle Amanecer  
San Clemente, California 92673 USA  
949-492-7777  
www.sonance.com

**SONANCE**