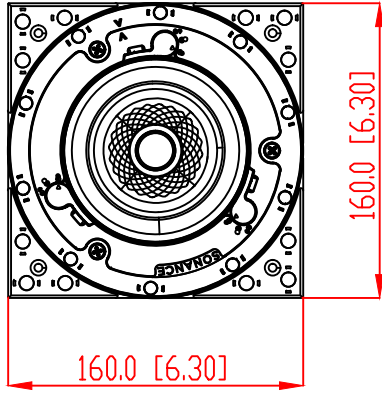
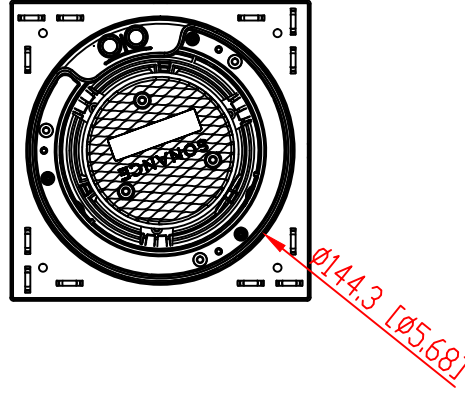


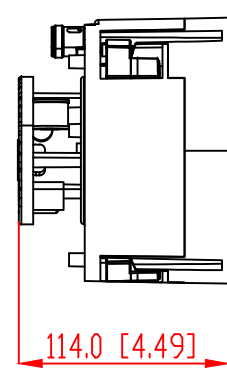
FRONT



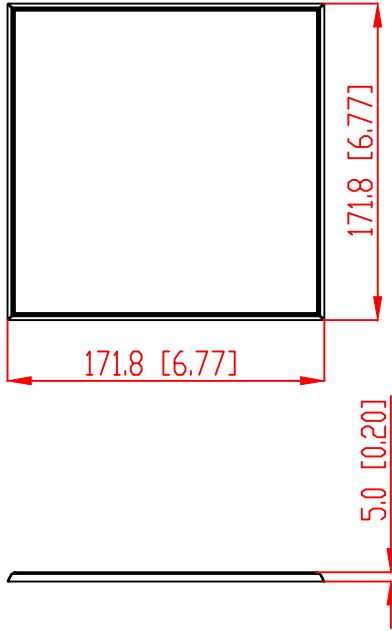
BACK / MINIMUM CUTOUT



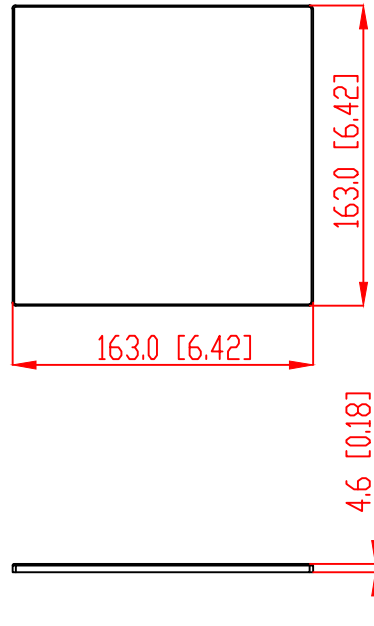
MOUNTING DEPTH



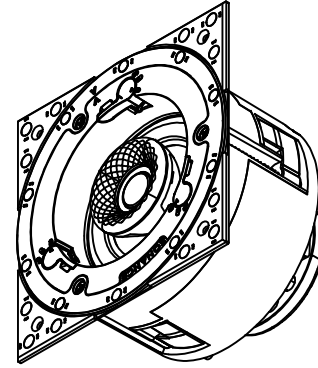
MICRO TRIM GRILLE



TRIMLESS GRILLE



ISOMETRIC



991 Calle Amanecer
 San Clemente, California 92673 USA
 949-492-7777
 www.sonance.com

SONANCE

VX42R WITH SQUARE ADAPTOR SPEAKER

SCALE: 1 : 1	DRAWN BY: Roy	DRWN - PART NUMBER	REV.
SHEET: 01	OF	RELEASED DN:	