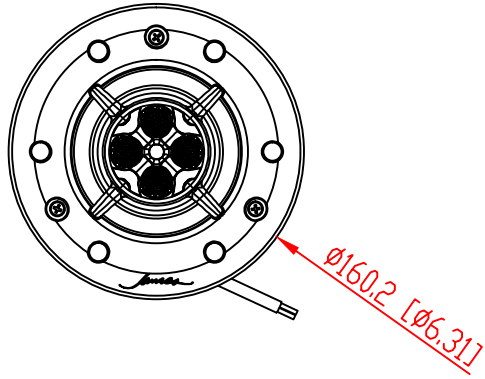
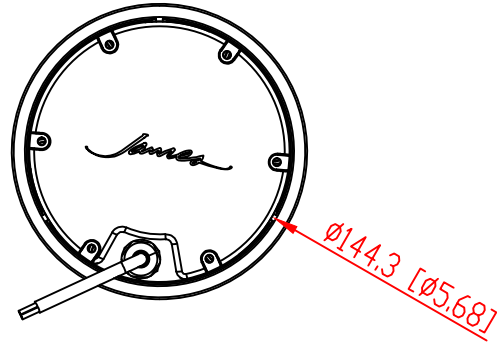


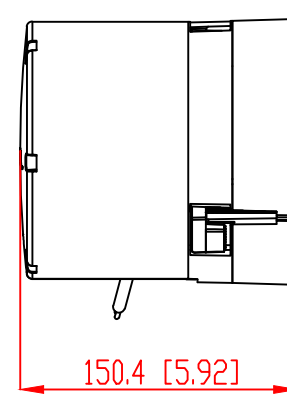
FRONT



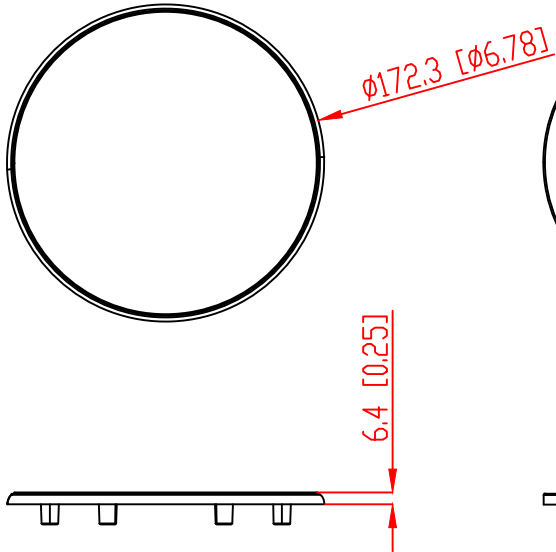
BACK / MINIMUM CUTOUT



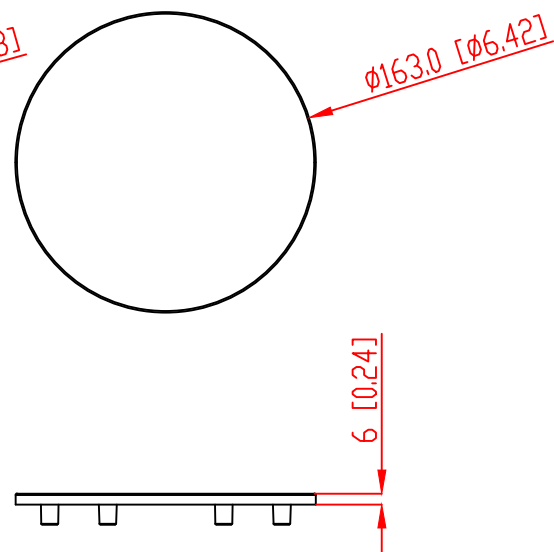
MOUNTING DEPTH



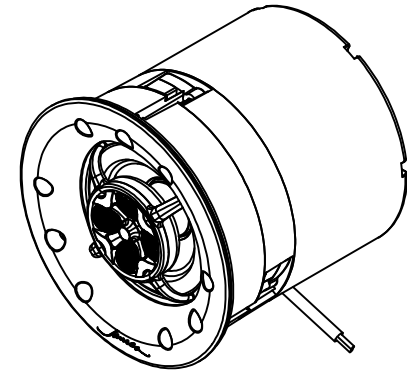
MICRO TRIM GRILLE



TRIMLESS GRILLE



ISOMETRIC



2185 Park Place
 Minden, Nevada 89423 USA
 775-461-7500
 www.jamesloudspeaker.com



VXQ48R WITH DEEP ENCLOSURE SPEAKER

SCALE: 1 : 1
 SHEET: 0F

DRAWN BY: Roy
 RELEASED ON:

DRWN - PART NUMBER

REV.