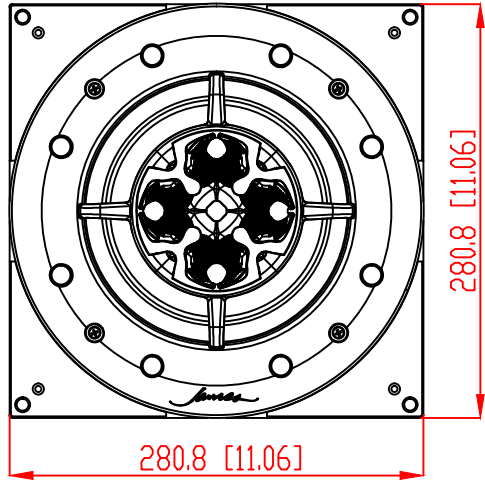
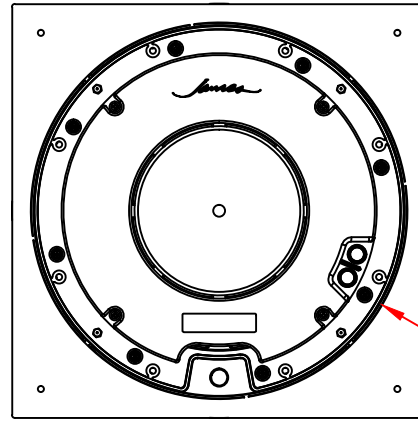


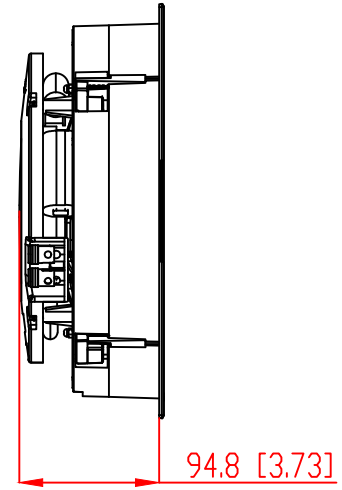
FRONT



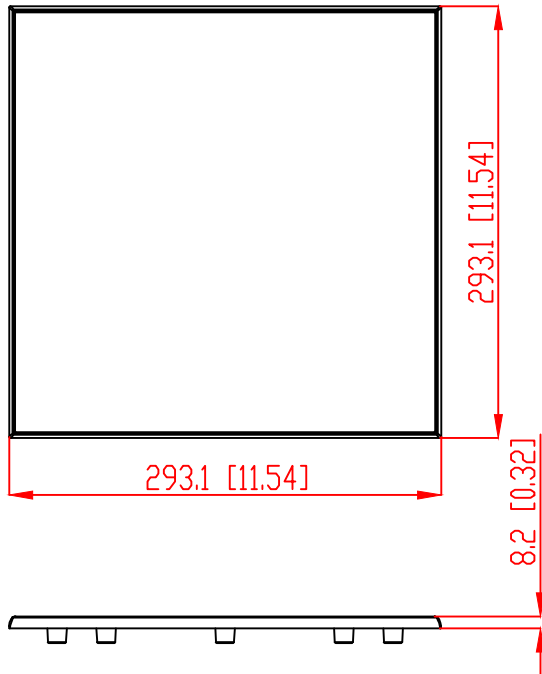
BACK / MINIMUM CUTOUT



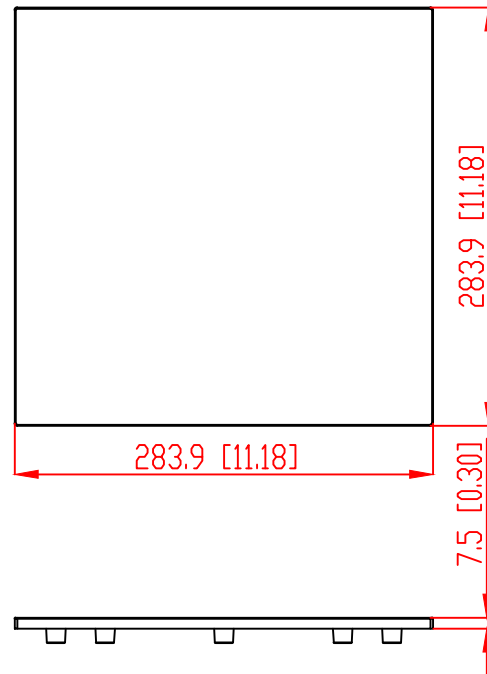
MOUNTING DEPTH



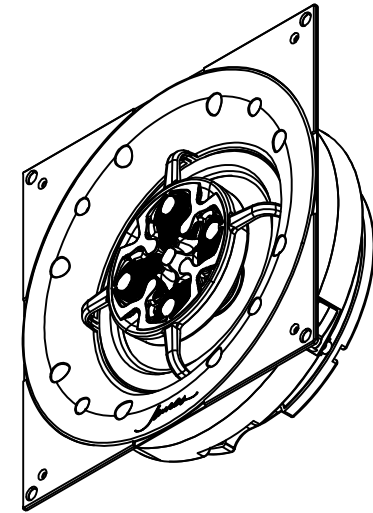
GRILLE WITH TRIM



GRILLE WITHOUT TRIM



ISOMETRIC



2185 Park Place
Minden, Nevada 89423 USA
775-461-7500
www.jamesloudspeaker.com



VXQ88R WITH SQUARE ADPTOR SPEAKER

SCALE: 4 : 5
SHEET: 0F

DRAWN BY: Roy
RELEASED DIM:

DRWN - PART NUMBER

REV.