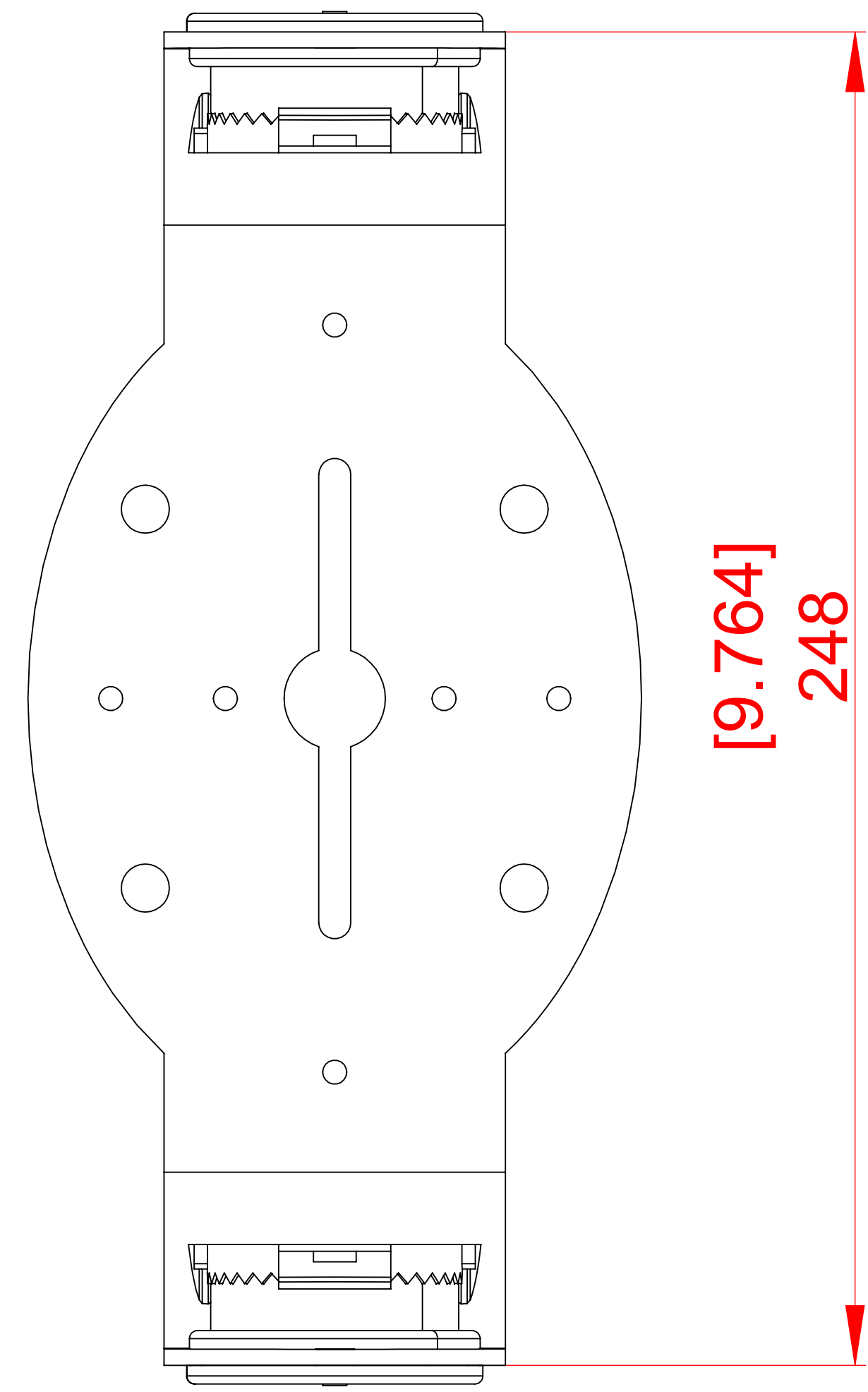
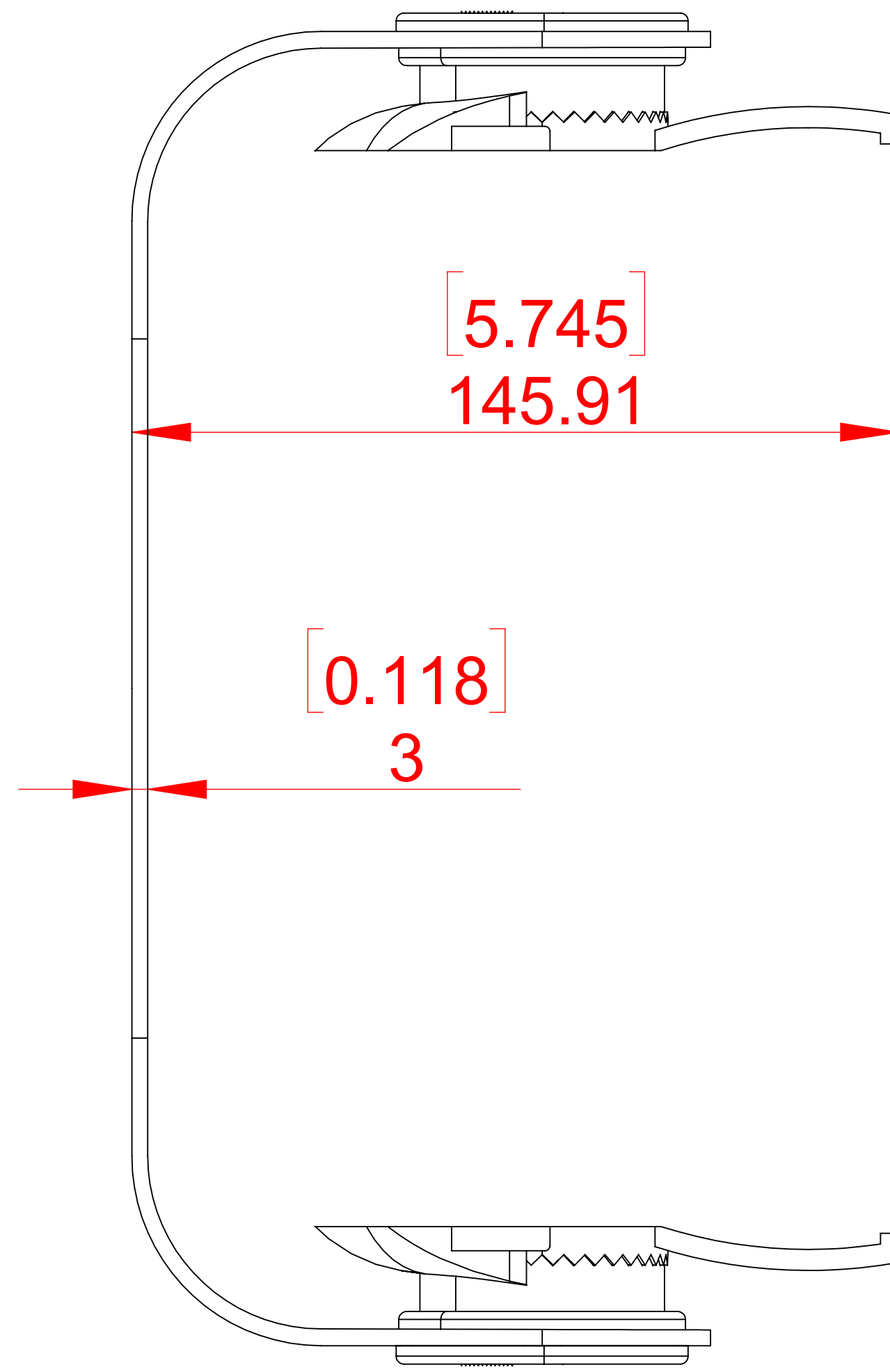


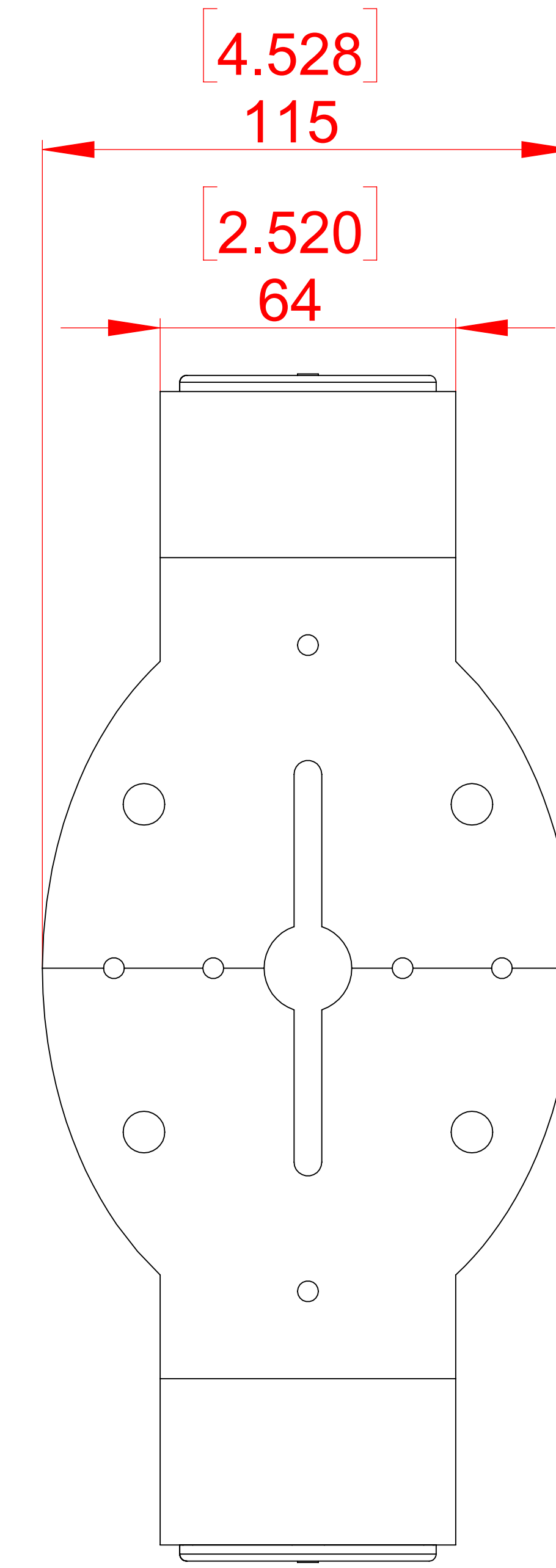
FRONT



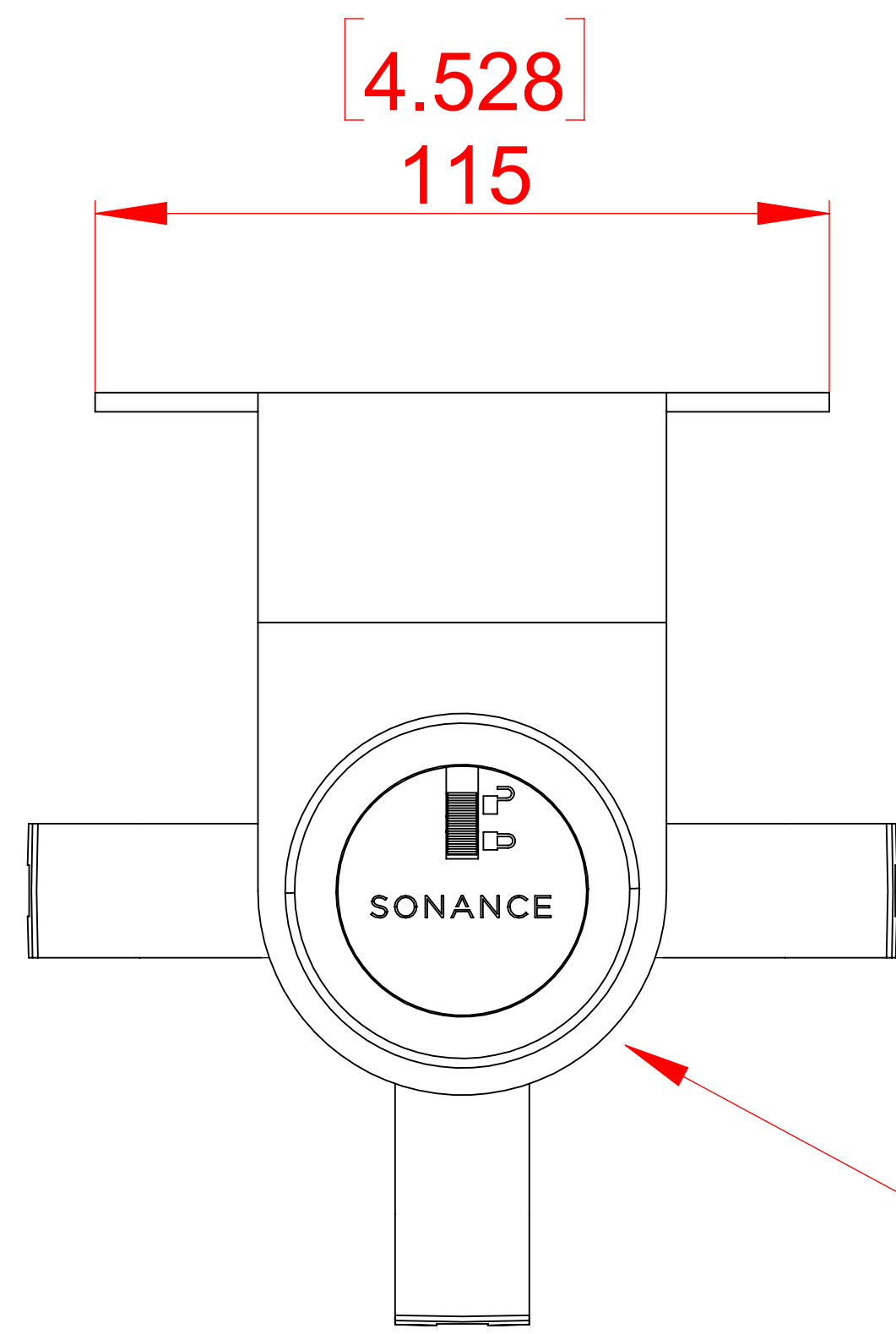
LEFT



BACK

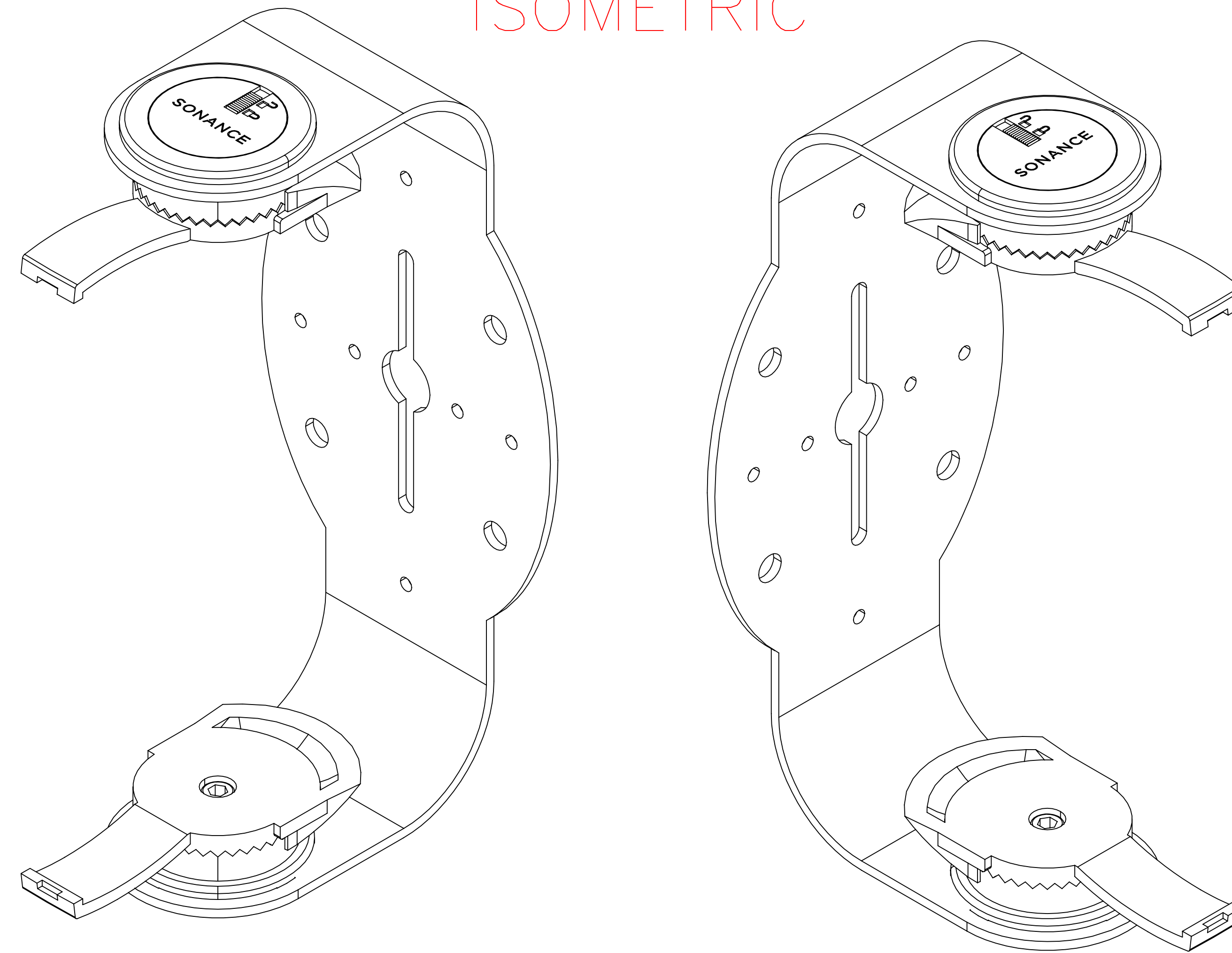


TOP



180° ROTATION
10° INCREMENTS

ISOMETRIC



SONANCE

991 Calle Amanecer, San Clemente, CA.
 92673
 58800 2-7777 949 492-7777
 FAX 949 361-5579
 www.sonance.com

S4 Mounting Bracket

SCALE: 1 : 1

DRAWN BY:

DRWN - PART NUMBER

REV.

SHEET: 01

RELEASED ON: