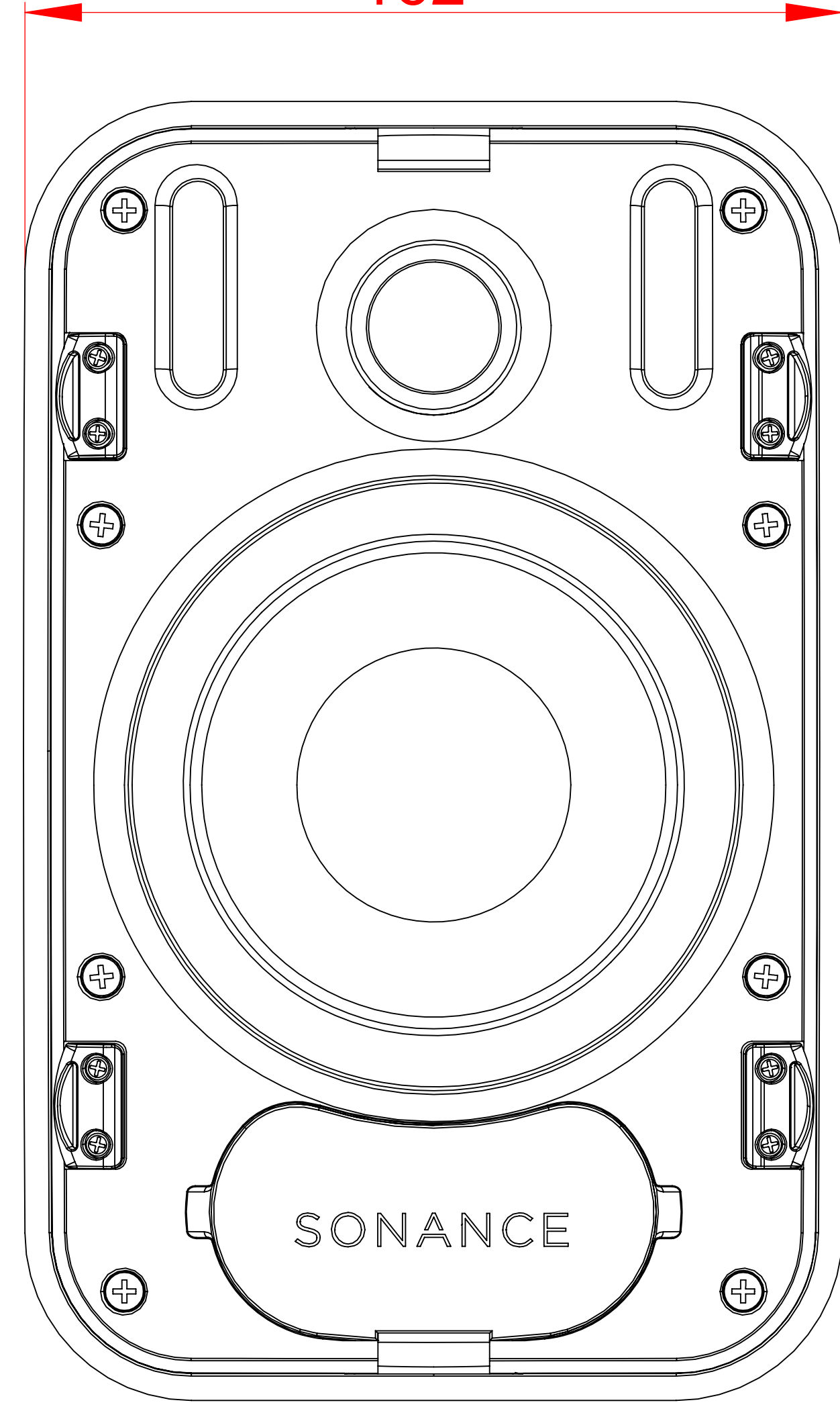


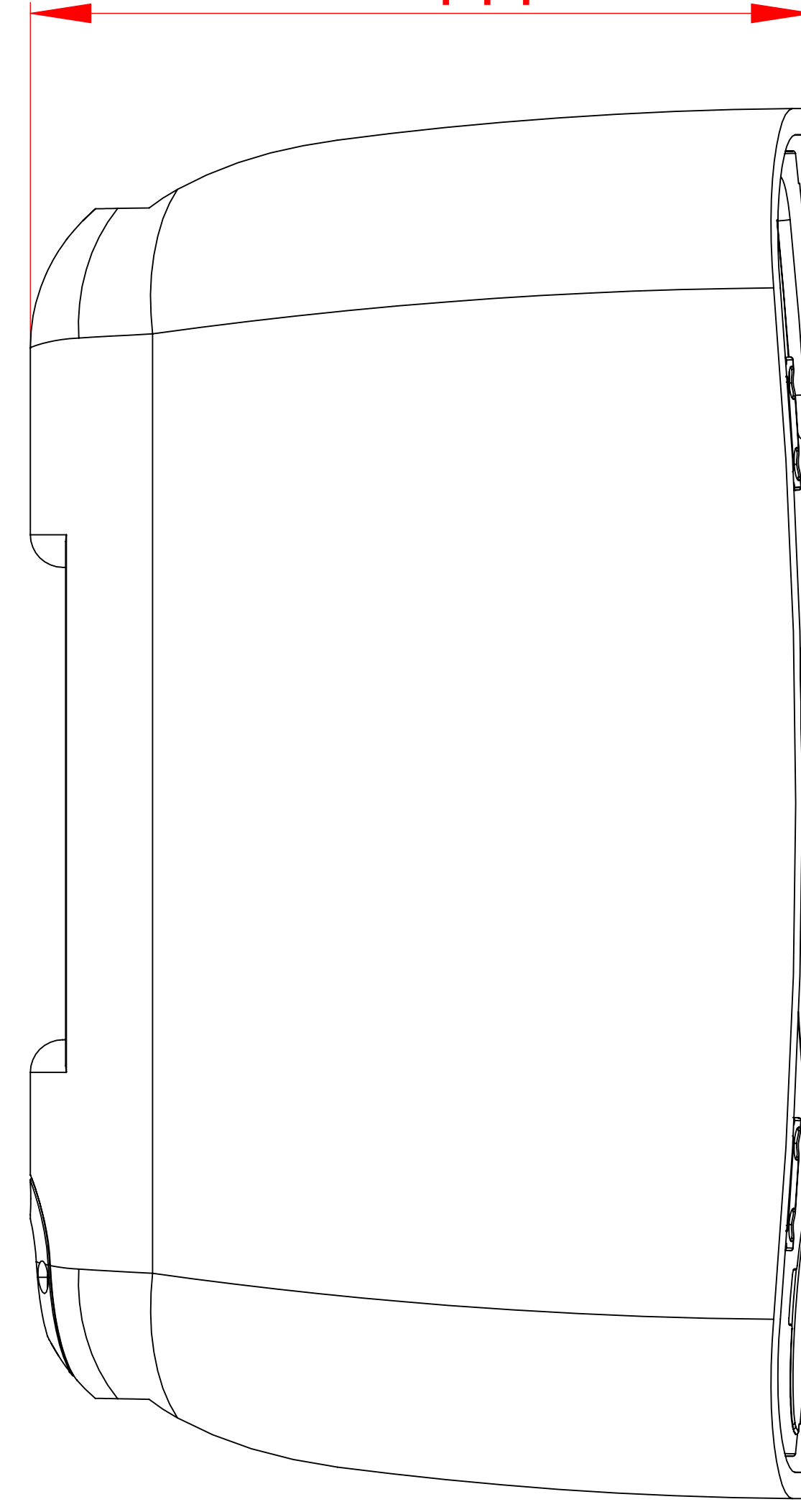
FRONT

[6.36]
162



LEFT

[5.67]
144

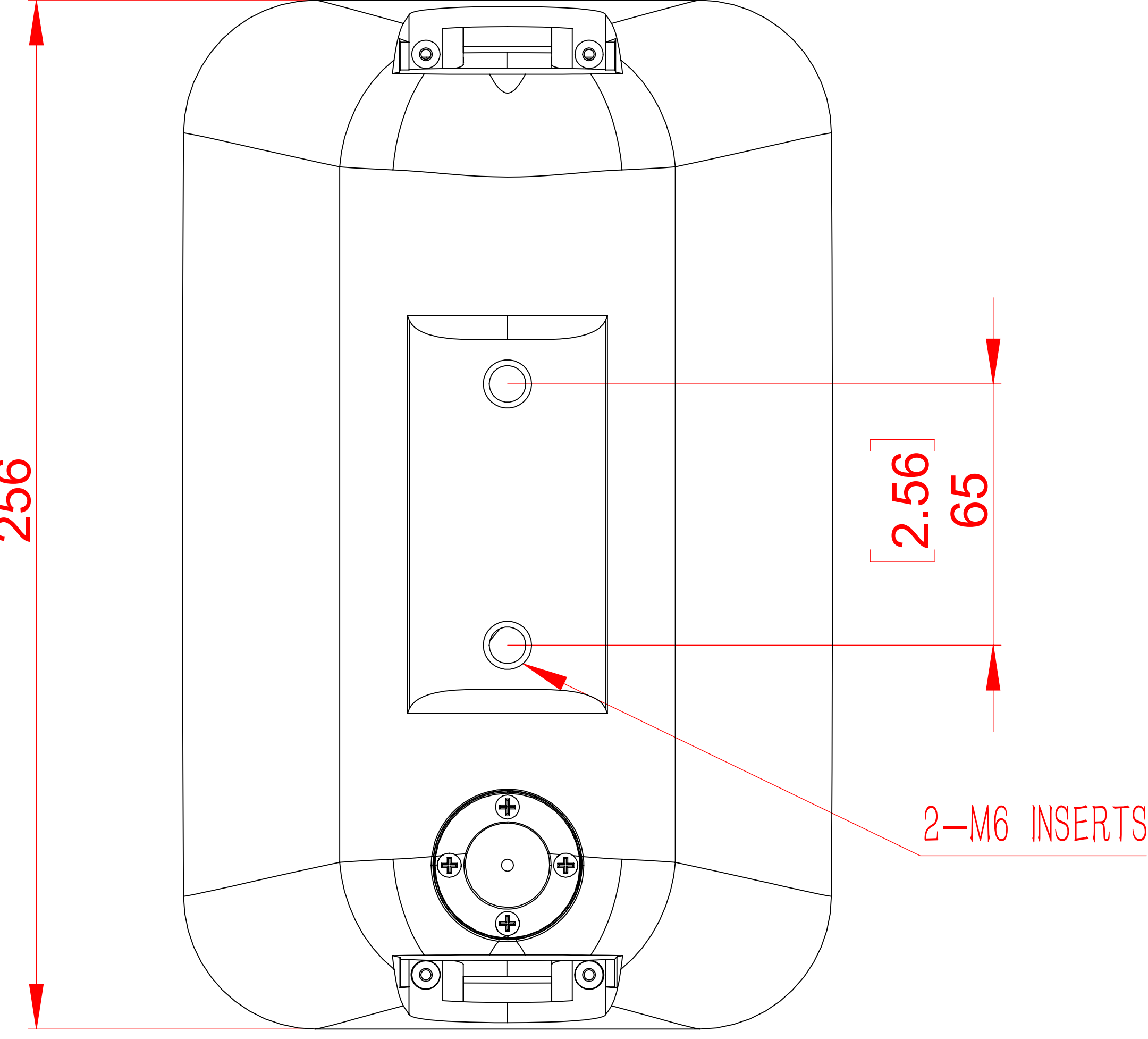


BACK

[10.08]
256

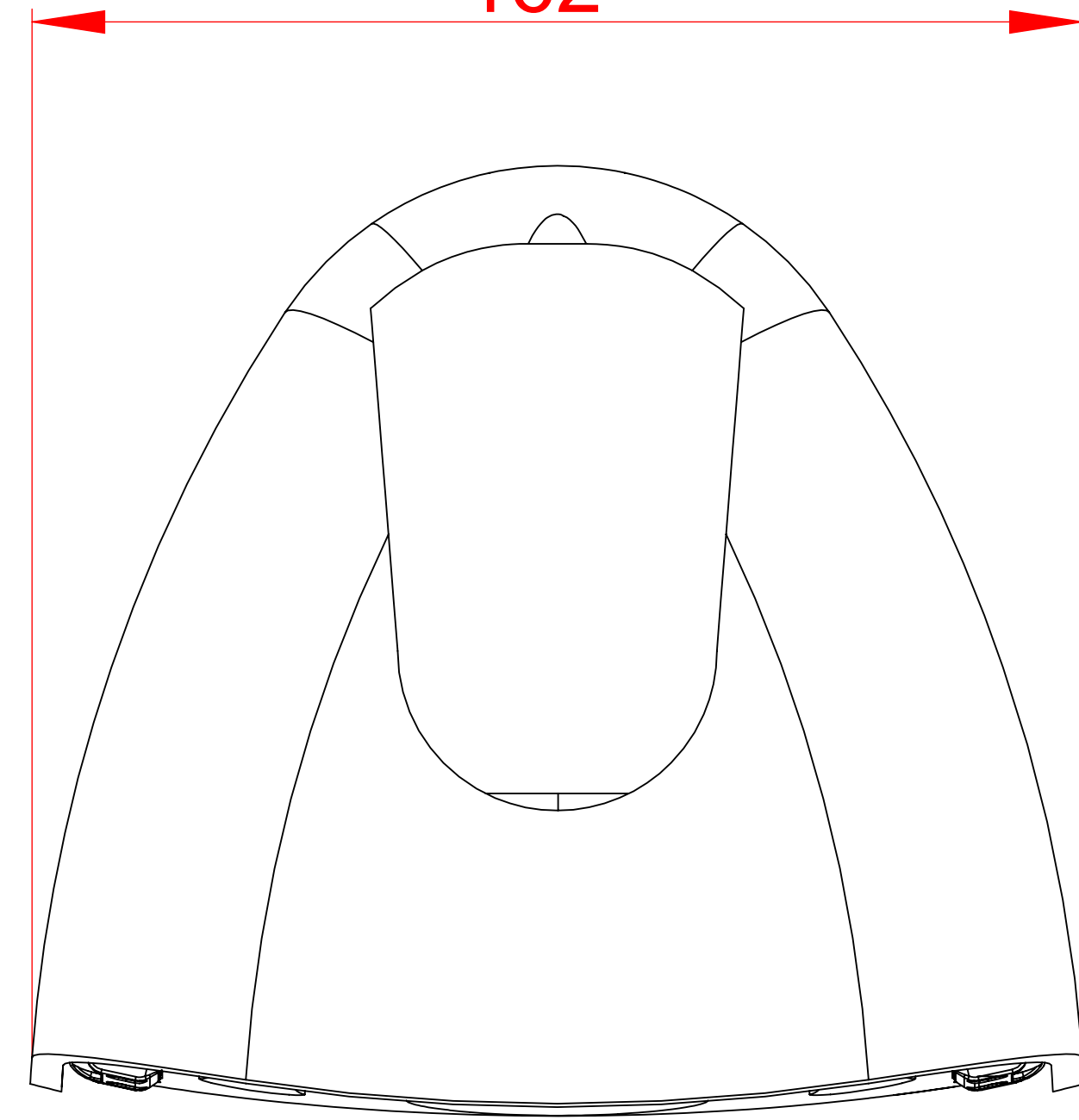
[2.56]
65

2-M6 INSERTS

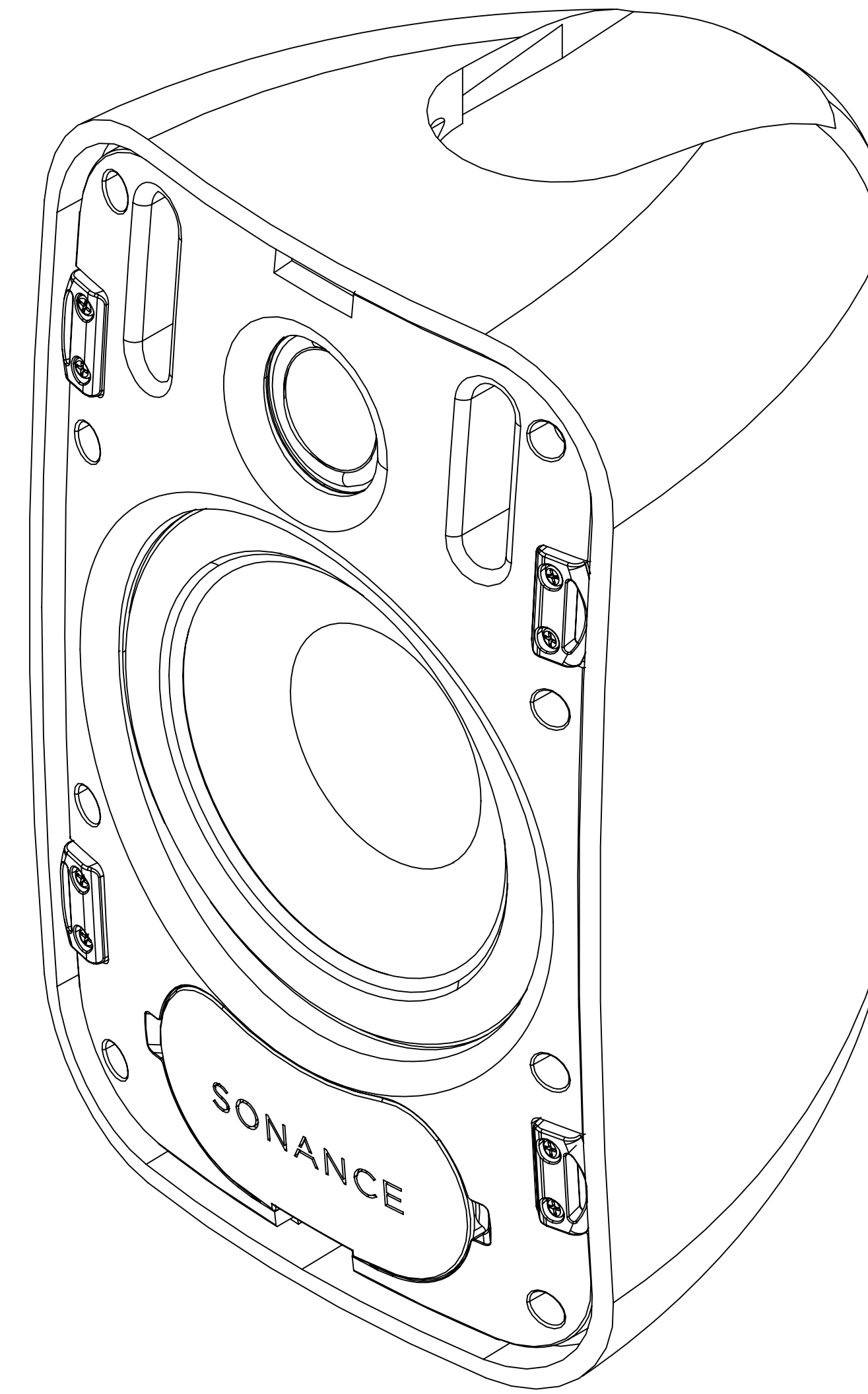


TOP

[6.36]
162



ISOMETRIC



SONANCE

991 Calle Amanecer, San Clemente, CA.
92673
58800 2-7777 949 492-7777
FAX 949 361-5579
www.sonance.com

PS-S53T MKII Speaker

SCALE: 1 : 1

DRAWN BY:

DRWN - PART NUMBER

REV.

SHEET: 01 OF

RELEASED ON: