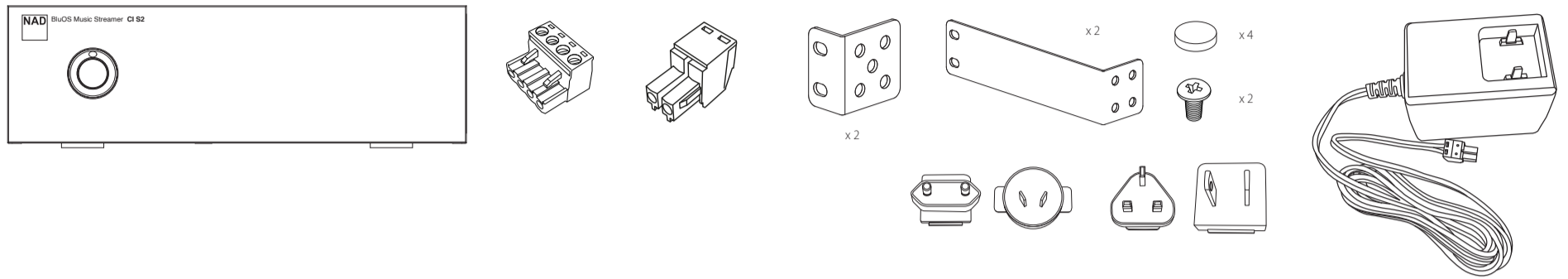


# NAD CI S2 BluOS Music Streamer

## Quick Setup Guide

### WHAT'S IN THE BOX

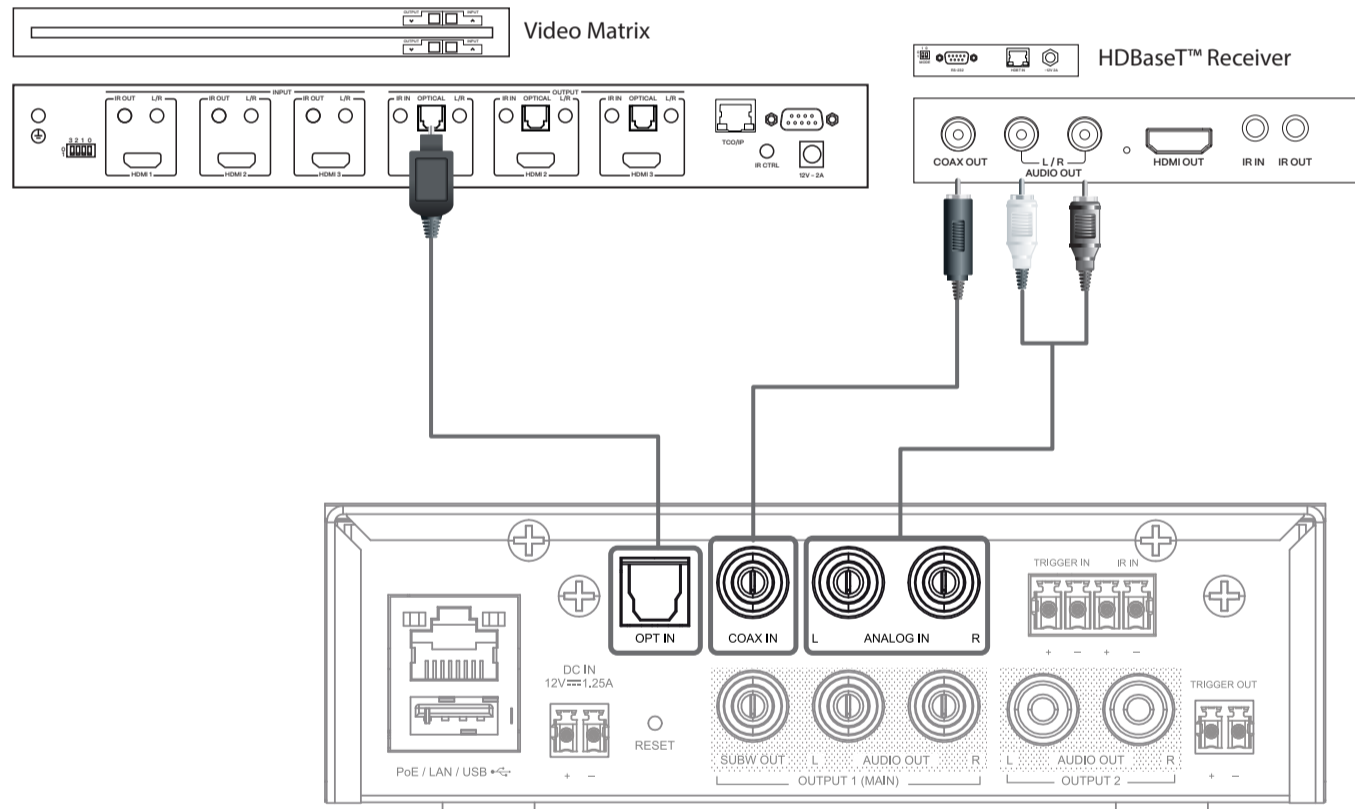


<https://nadelectronics.com/product/CI-S2-BluOS-Music-Streamer>

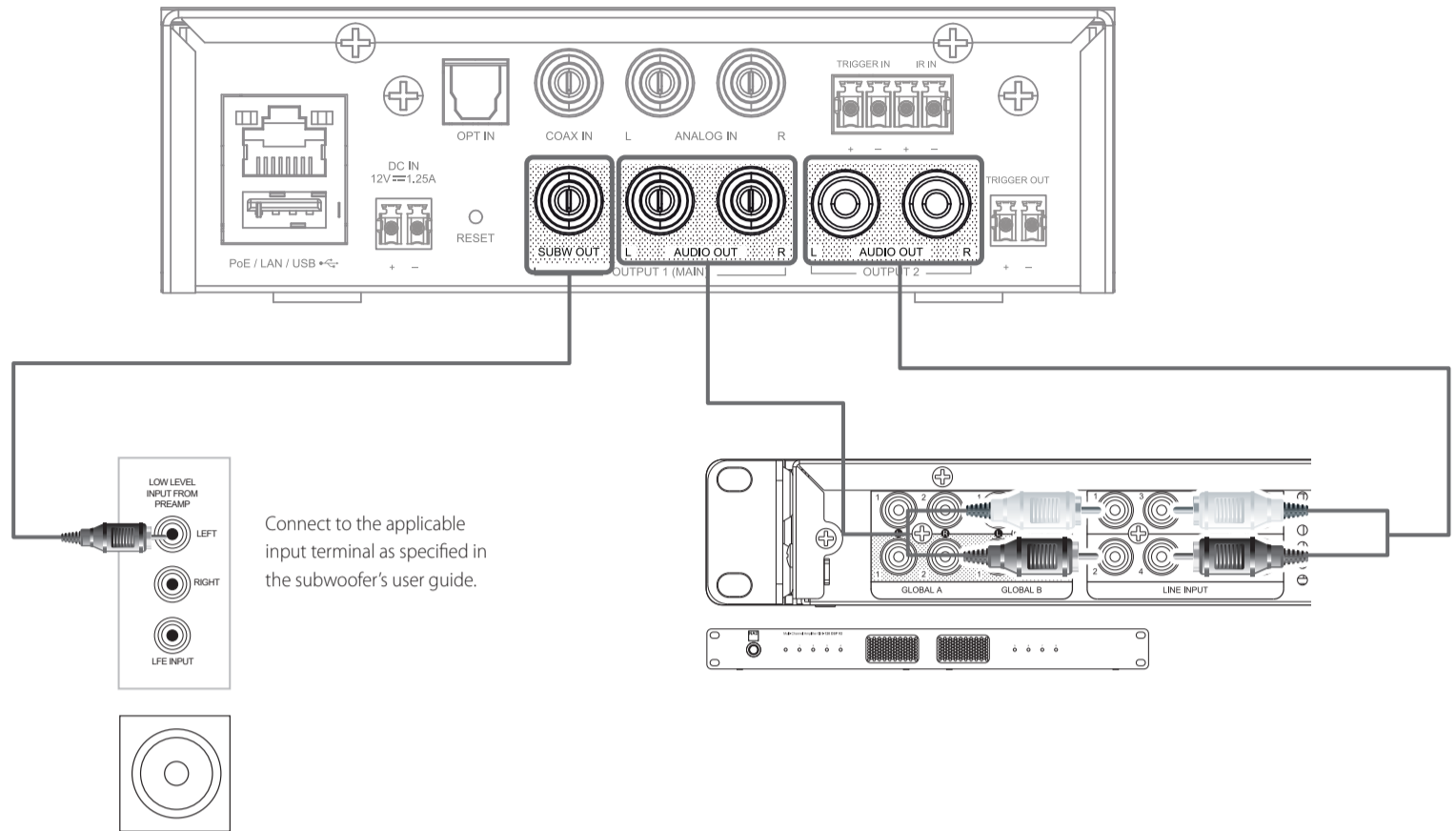


[support.nadelectronics.com](https://support.nadelectronics.com)  
[bluesound.com/can/downloads](https://bluesound.com/can/downloads)

### CONNECT INPUT DEVICES

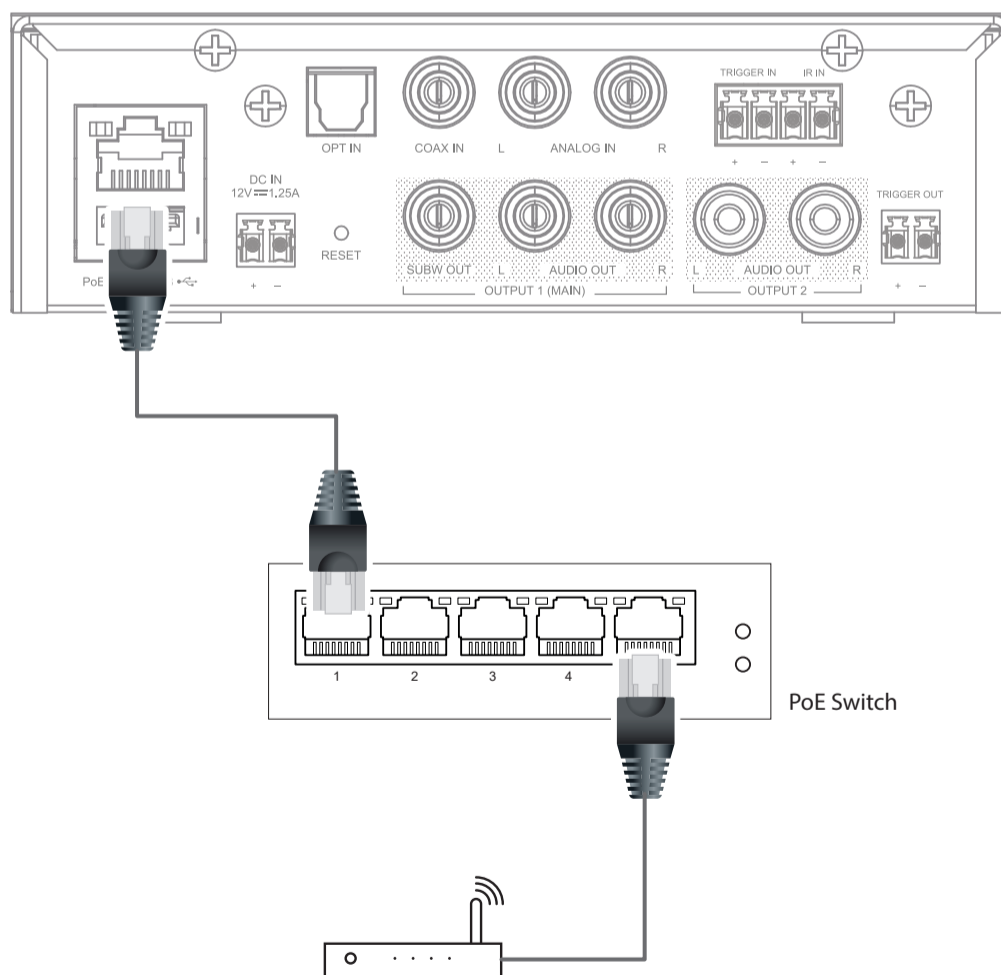


## CONNECT OUTPUT DEVICES

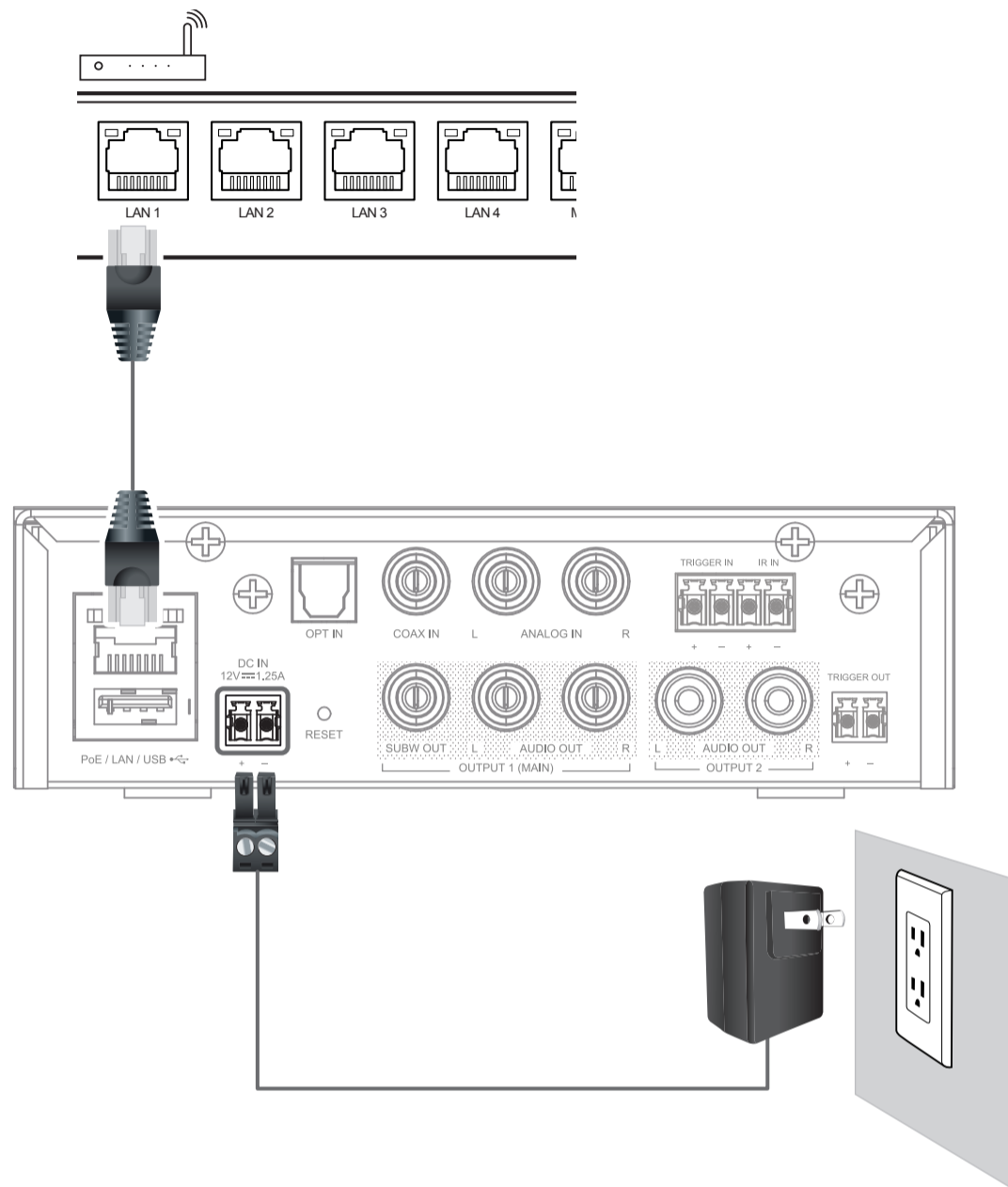


## CONNECT PoE OR SWITCH MODE POWER SUPPLY AND ETHERNET

PoE



## Switch Mode Power Supply

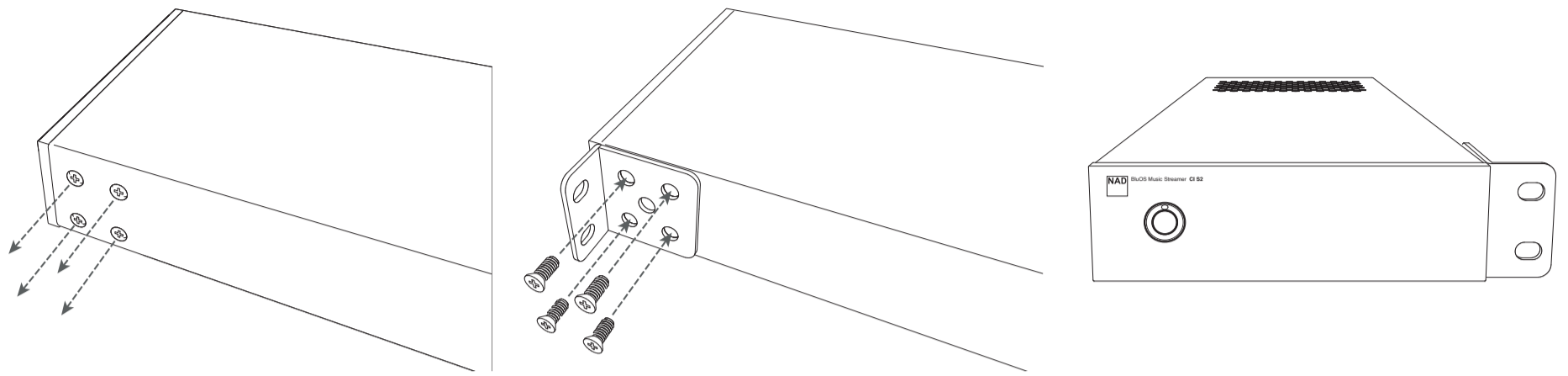


### IMPORTANT NOTE

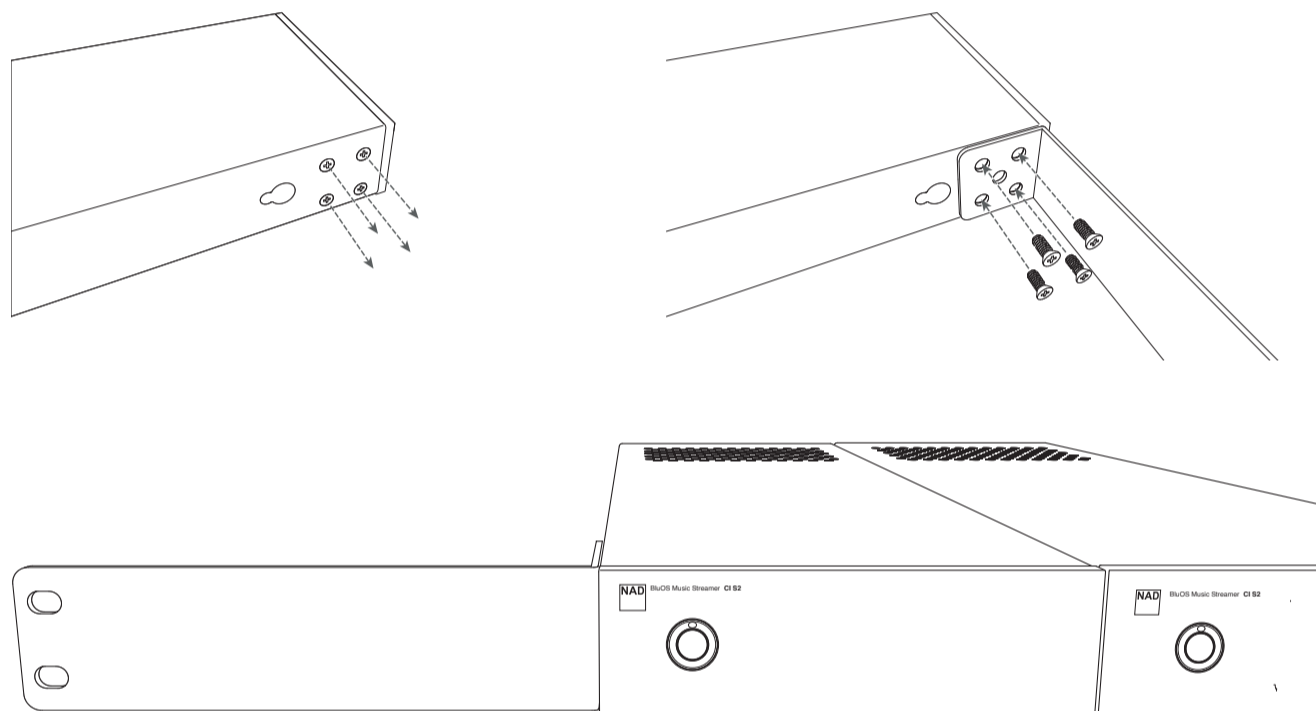
*If both PoE and 12V DC power supply are connected, the CI S2 will automatically use 12V DC power supply as it has priority over PoE.*

# INSTALL RACK EARS

Short rack ear



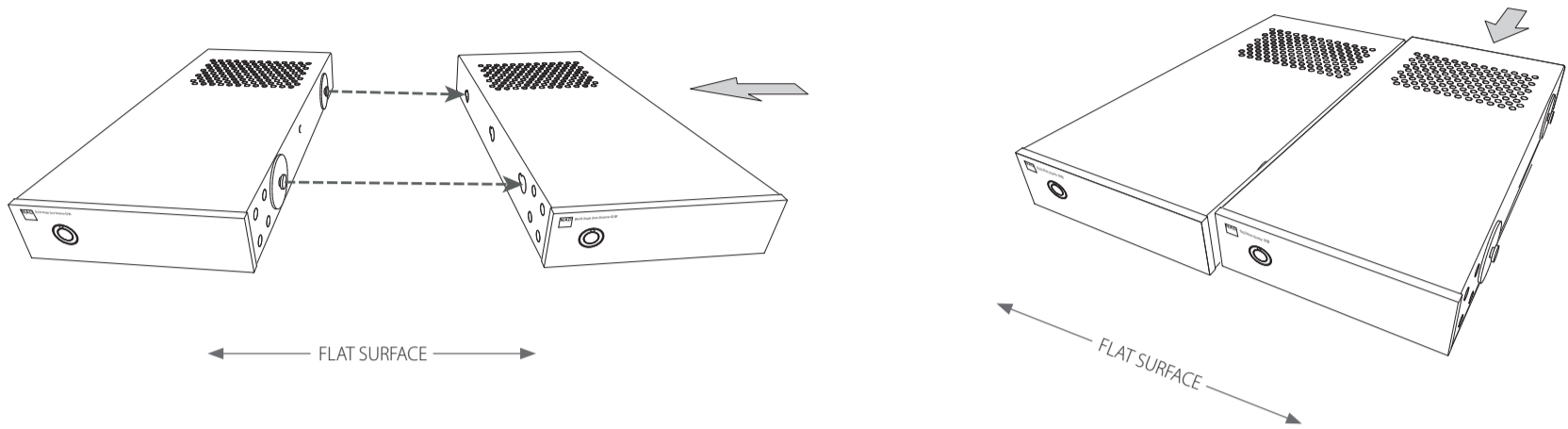
Long rack ear



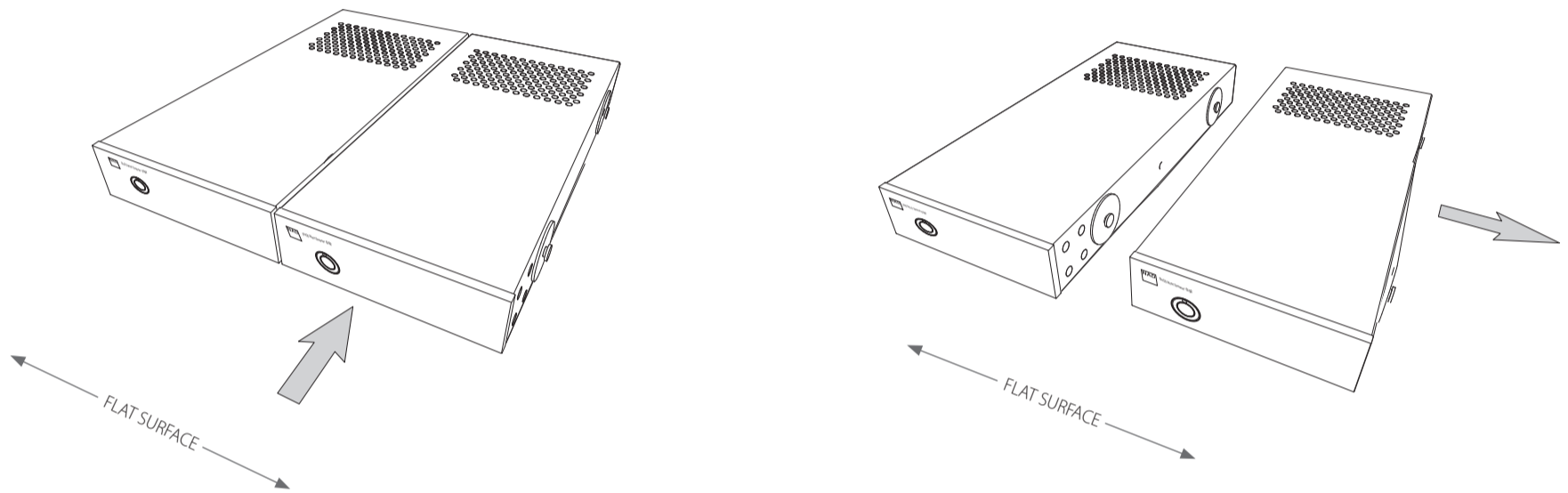
## ASSEMBLE TWO OR THREE UNITS

---

Connect

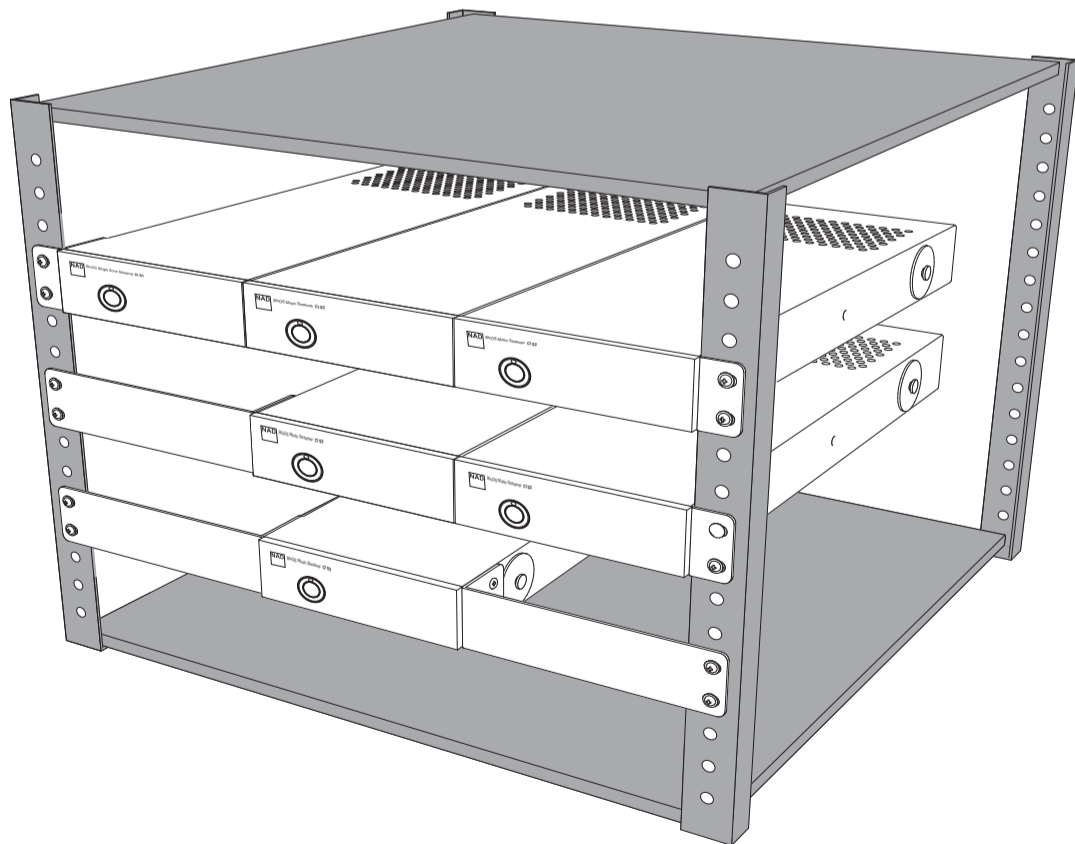


Disconnect



## INSTALL MULTIPLE UNITS IN A RACK

---



# SURFACE MOUNT

---

